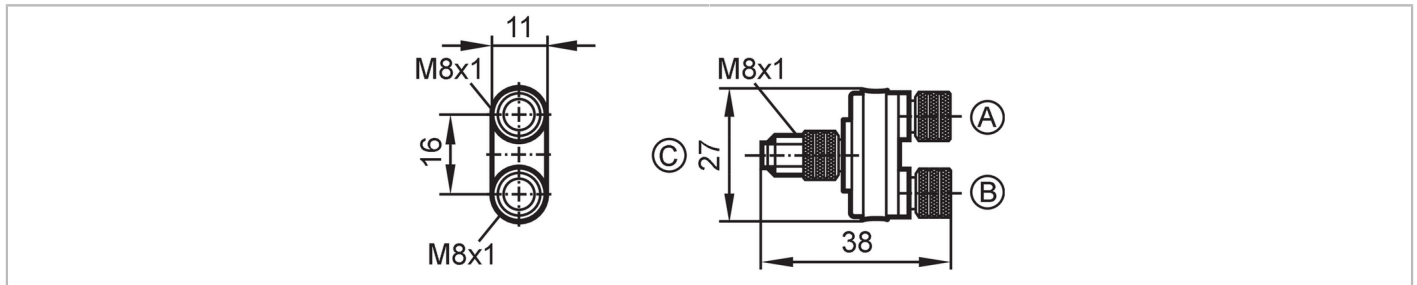


E12269



Y/T splitter

ZDO2F030MSS0000-00STGF040MSS



Application	
Special feature	Free from silicone; gold-plated contacts
Free from silicone	yes
Electrical data	
Operating voltage [V]	< 30 AC/DC
Protection class	III
Max. current load per module/slot [A]	3
Max. current load total [A]	3
Operating conditions	
Ambient temperature [°C]	-25...90
Protection	IP 68
Mechanical data	
Weight [g]	15.7
Dimensions [mm]	11 x 27 x 38
Molded-body material	PUR
Material nut	brass, nickel-plated
Number of ports splitter box	2
Connector type	M8
Remarks	
Pack quantity	1 pcs.

Electrical connection - plug C

Connector: 1 x M8; coding: A; Contacts: 4, gold-plated; Moulded body: PUR; Locking: brass, nickel-plated



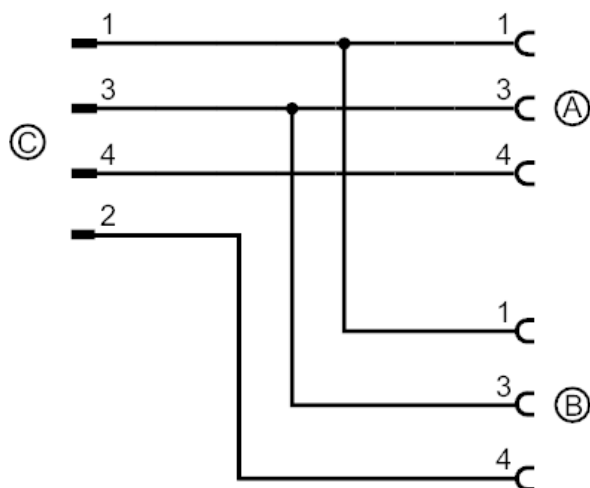
E12269



Y/T splitter

ZDO2F030MSS0000-00STGF040MSS

Connection



Electrical connection - Socket A/B

Connector: 2 x M8; coding: A; Contacts: 3, gold-plated; Moulded body: PUR; Locking: brass, nickel-plated

