

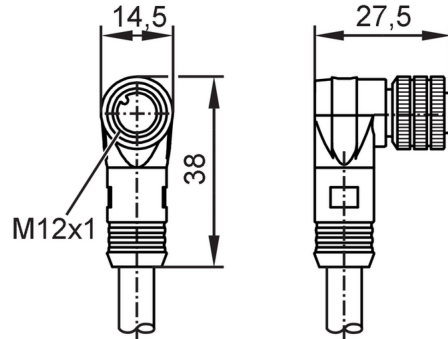
# E12237



## Female cordset

ADOAH080MSS0015B08

For 8-wire cordsets the core colors are not standardized.  
Please note the wiring of the sensor and the cordsets (see data sheet).



Application	
Application	Industrial applications
Electrical data	
Operating voltage [V]	< 30 AC / < 36 DC
Max. current load total [A]	2
Operating conditions	
Ambient temperature [°C]	-40...80
Protection	IP 68
Mechanical data	
Weight [g]	813.5
Dimensions [mm]	27.5 x 14.5 x 38
Molded-body material	TPU (urethane)
Material nut	brass, nickel-plated
Remarks	
Pack quantity	1 pcs.
Electrical connection	
Cable: 15 m, PUR, black; 8 x 0.25 mm <sup>2</sup> (32 x Ø 0.1 mm )	
Electrical connection - Socket	
Connector: 1 x M12, angled; coding: A; Contacts: 8; Moulded body: TPU (urethane); Locking: brass, nickel-plated; Tightening torque: 1...1.5 Nm	

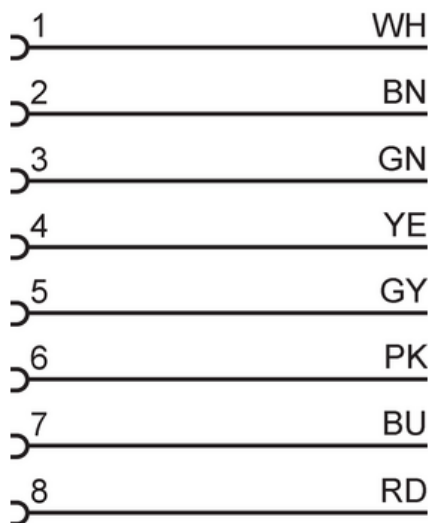
# E12237



## Female cordset

ADOAH080MSS0015B08

### Connection



#### Colors to DIN 47100

BN =	brown
BU =	blue
GN =	green
GY =	grey
PK =	pink
RD =	red
WH =	white
YE =	yellow

#### Core colors :