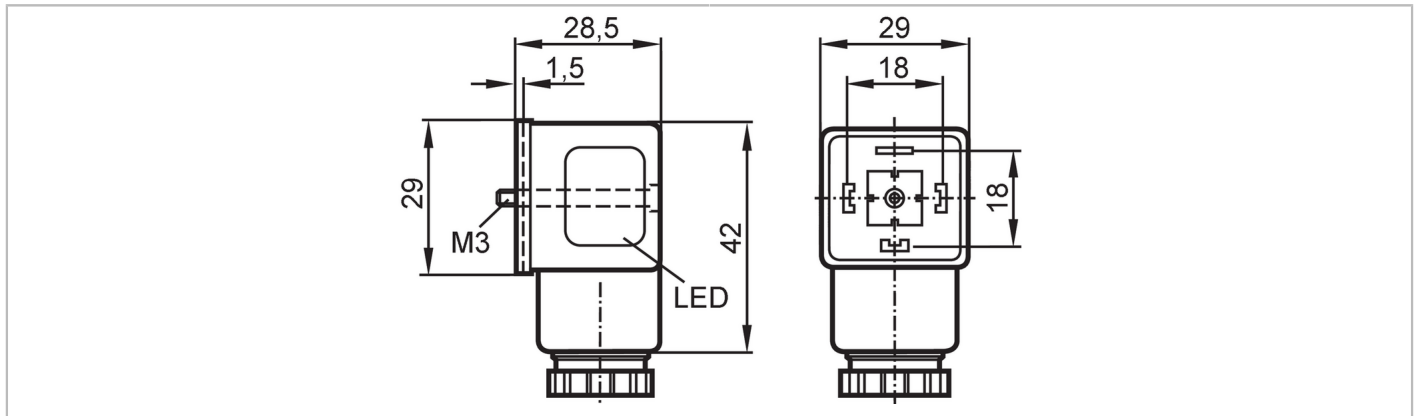


E12224



Wirable valve connector

SVDA031PLSFKPG

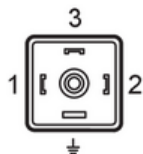


Application		
Special feature		Free from silicone
Application		Industrial applications
Free from silicone		yes
Electrical data		
Operating voltage	[V]	< 24 DC
Max. current load total	[A]	16
Operating conditions		
Ambient temperature	[°C]	-40...125
Protection		IP 65
Mechanical data		
Weight	[g]	29.4
Material		housing: PA transparent; end cap: PA black; sealing: NBR black
Remarks		
Pack quantity		1 pcs.

Electrical connection
 terminals: 4 x ...1.5 mm²; Cable sheath: Ø 6...8 mm

Electrical connection - Socket

Connector: 1 x valve plug type A DIN, angled; Contacts: 4



E12224



Wirable valve connector

SVDA0031PLSFKPG

Connection

