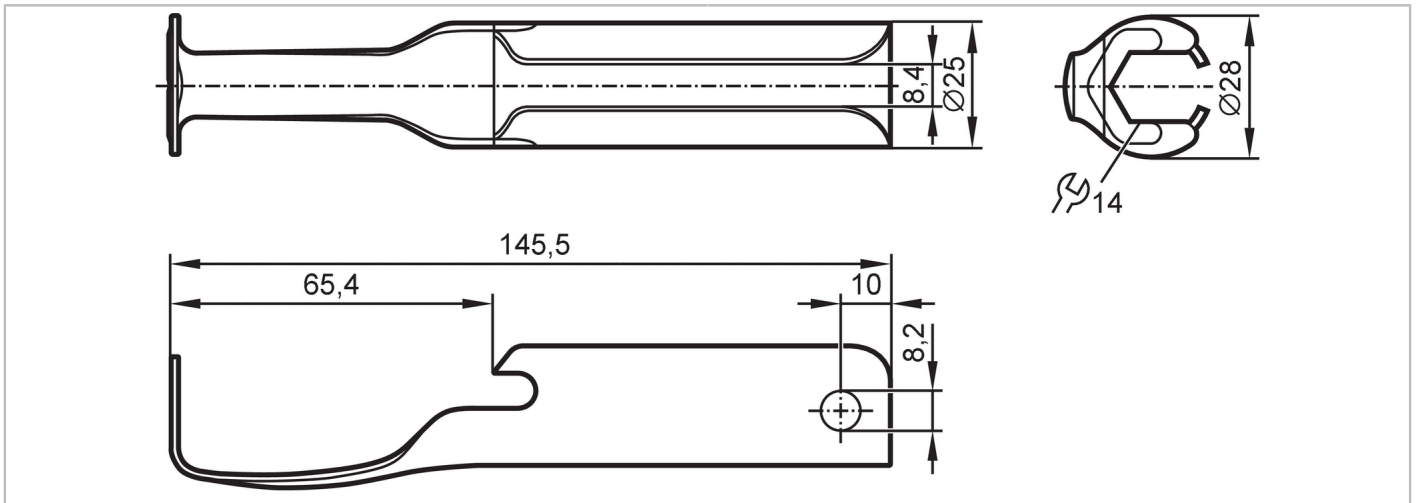


# E12078



## Assembly tool

MOUNTING TOOL CONNECTORS



### Application

Design for plug-and-socket connections M12

### Mechanical data

Weight [g] 71.2

Material stainless steel (1.4301 / 304)

Tightening torque [Nm] < 2

### Remarks

Pack quantity 1 pcs.