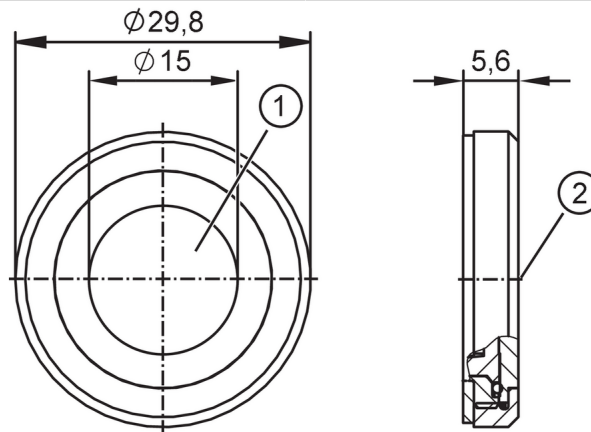


# E12825



## Symbol disc for touch sensors

Transparent stainless steel



- 1 transparent symbol disc
- 2 stainless steel ring

### Application

Design for types KTE M22, KTV M22

### Mechanical data

Weight	[g]	14.5
Dimensions	[mm]	$\varnothing 29.8$
Material	housing: stainless steel (316L / 1.4404) , PA; sealing: NR	
Labeling / symbol	transparent	

### Remarks

Pack quantity 1 pcs.

### Diagrams and graphs

Installation

