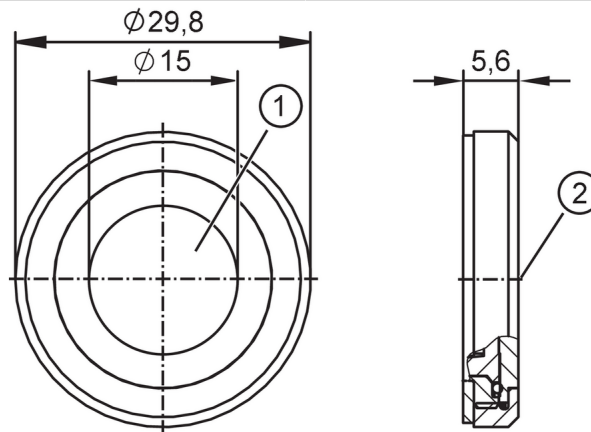


E12817



Symbol disc for touch sensors

Arrow left right symbol stainless steel



- 1 printed symbol disc
- 2 stainless steel ring

Application	
Design	for types KTE M22, KTV M22
Mechanical data	
Weight [g]	13.2
Dimensions [mm]	Ø 29.8
Material	housing: stainless steel (316L / 1.4404) , PA; sealing: NR
Labeling / symbol	arrows (opposing)
Remarks	
Pack quantity	1 pcs.

Diagrams and graphs

Installation

