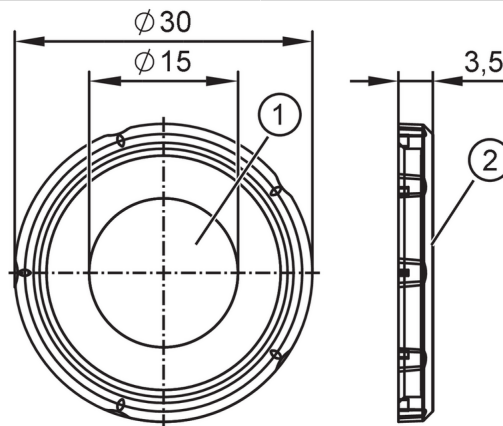


E12812



Symbol disc for touch sensors

Stop symbol plastic



- 1 imprint
- 2 Symbol disc

Application

Design for types KTE M22, KTV M22

Mechanical data

Weight	[g]	2.2
Dimensions	[mm]	Ø 30
Material		housing: PA; sealing: NR
Labeling / symbol		stop symbol

Remarks

Remarks	
Pack quantity	1 pcs.

Diagrams and graphs

Installation

