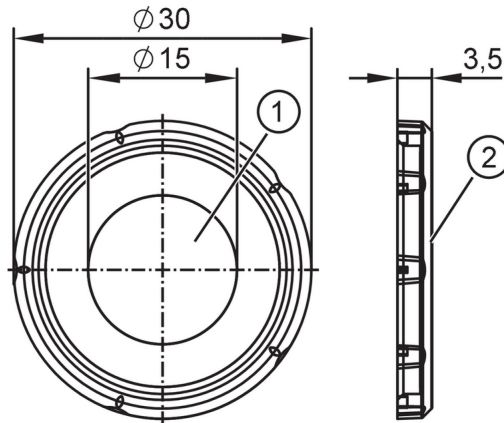


# E12810



## Symbol disc for touch sensors

STOP Typo symbol plastic



- 1 imprint
- 2 Symbol disc

### Application

Design for types KTE M22, KTV M22

### Mechanical data

Weight	[g]	2.3
Dimensions	[mm]	Ø 30
Material		housing: PA; sealing: NR
Labeling / symbol		STOP (text)

### Remarks

Remarks	
Pack quantity	1 pcs.

### Diagrams and graphs

Installation

