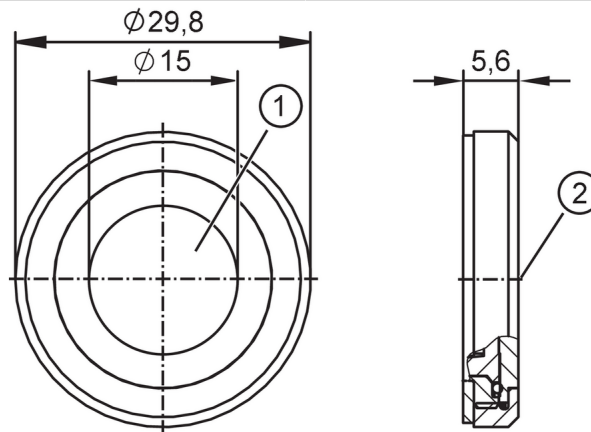


E12805



Symbol disc for touch sensors

START Typo stainless steel



- 1 printed symbol disc
- 2 stainless steel ring

Application

Design for types KTE M22, KTV M22

Mechanical data

| | | |
|-------------------|--|--------|
| Weight | [g] | 15 |
| Dimensions | [mm] | Ø 29.8 |
| Material | housing: stainless steel (316L / 1.4404) , PA; sealing: NR | |
| Labeling / symbol | START (text) | |

Remarks

Pack quantity 1 pcs.

Diagrams and graphs

Installation

