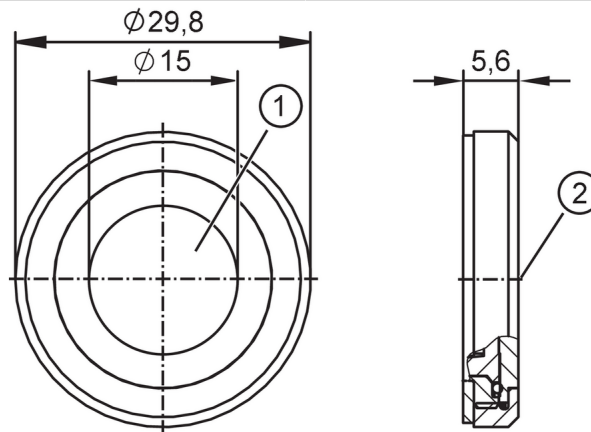


E12803



Symbol disc for touch sensors

Off Zero stainless steel



- 1 printed symbol disc
- 2 stainless steel ring

Application

Design for types KTE M22, KTV M22

Mechanical data

Weight	[g]	14.6
Dimensions	[mm]	Ø 29.8
Material	housing: stainless steel (316L / 1.4404) , PA; sealing: NR	
Labeling / symbol	off / circle	

Remarks

Pack quantity 1 pcs.

Diagrams and graphs

Installation

