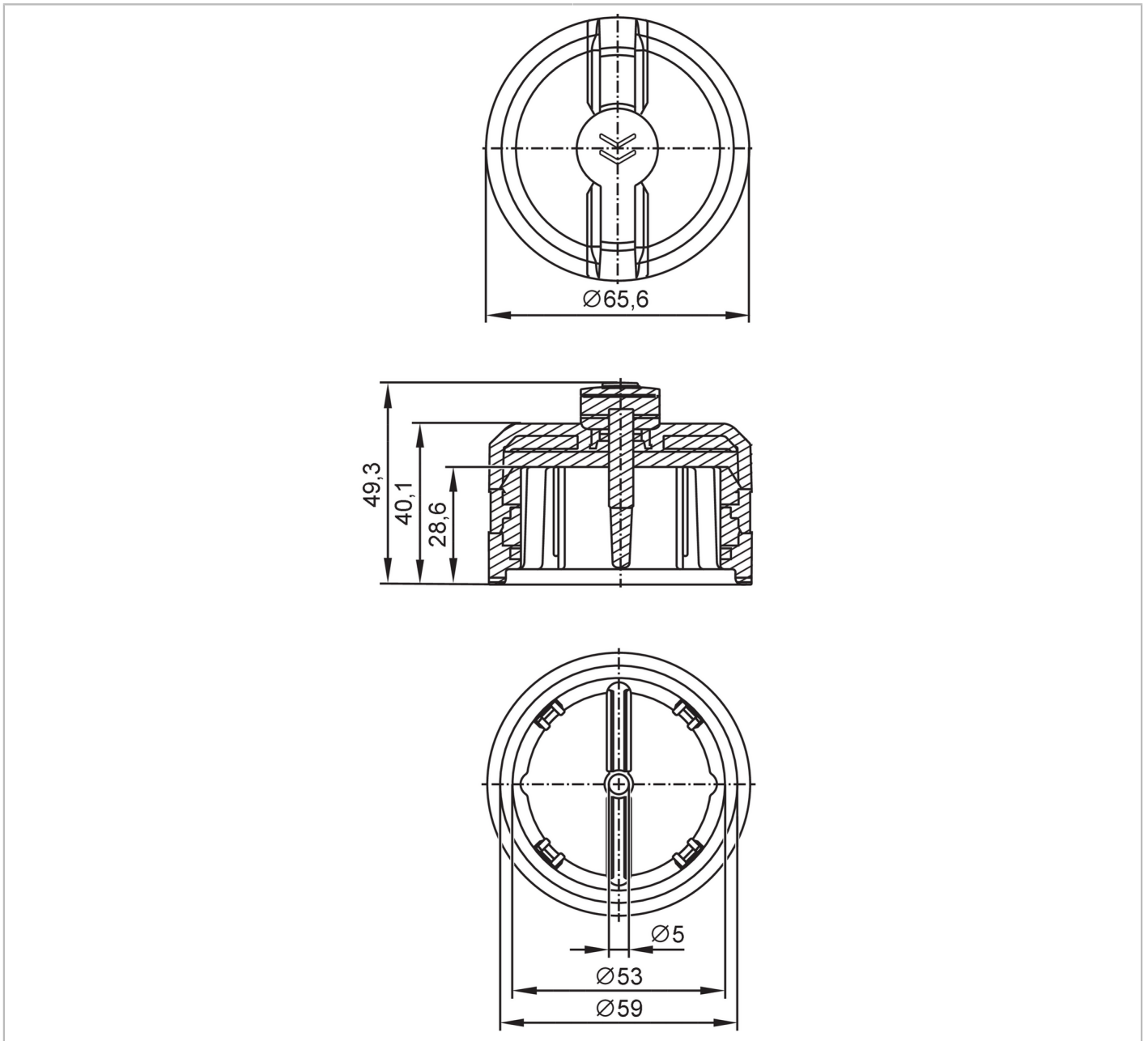


E12724



Target puck for valve actuators

PUCK 65MM BASIC



Application	
Design	for mechanical interfaces to pneumatic actuators or manually-operated valves VDI / VDE 3845, ISO 5211 / DIN 3337
Mechanical data	
Weight [g]	79.8
Target puck diameter [mm]	65.6
Hole spacing [mm]	80
Shaft height of actuator stem [mm]	30
Material	Target puck: PA 6 black; metal parts: stainless steel; Position indicator: PA 6 yellow
Tightening torque [Nm]	2.5...3
Accessories	
Items supplied	half-round head screw: 1 x (M6 x 25 mm), stainless steel EN ISO 7380-2:2011

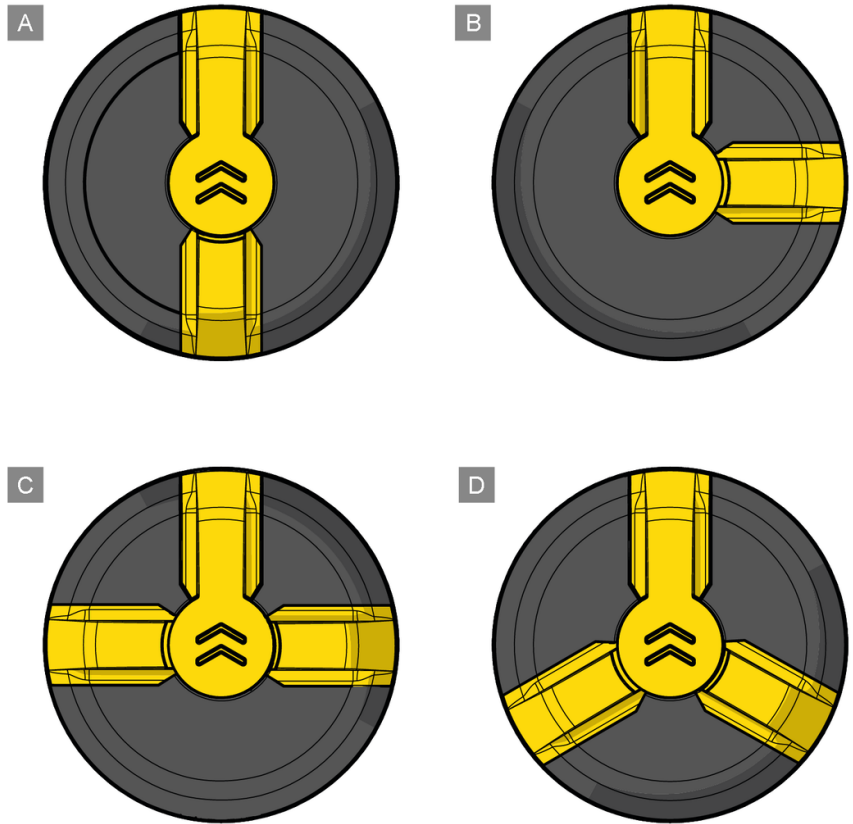
E12724



Target puck for valve actuators

PUCK 65MM BASIC

Installation



- A through-hole
- B L-port valve
- C T-port valve
with position indicator E12726
- D Y-port valve
with position indicator E12726