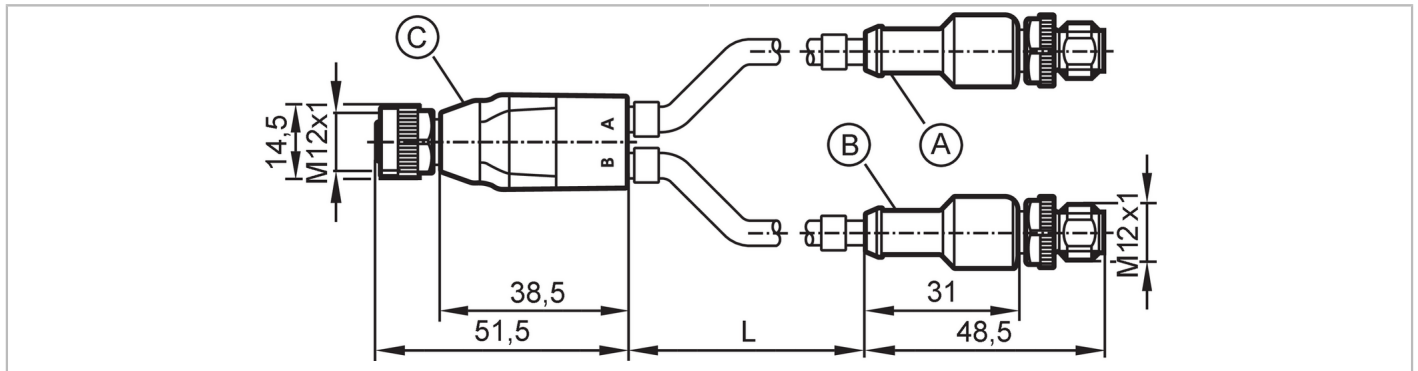


E12723



Y connection cable

Y SPLITTER CABLE/M12 SOCKET/2xM12 PLUG



Application

Special feature	Free from silicone; Halogen-free; gold-plated contacts
Free from silicone	yes

Electrical data

Operating voltage	[V]	< 25 AC / < 60 DC
Protection class		III
Max. current load total	[A]	2

Operating conditions

Ambient temperature	[°C]	-25...85
Protection		IP 65; IP 67

Mechanical data

Weight	[g]	52
Molded-body material		TPU (urethane)
Material nut		diecast zinc, nickel-plated
Sealing material		FKM

Remarks

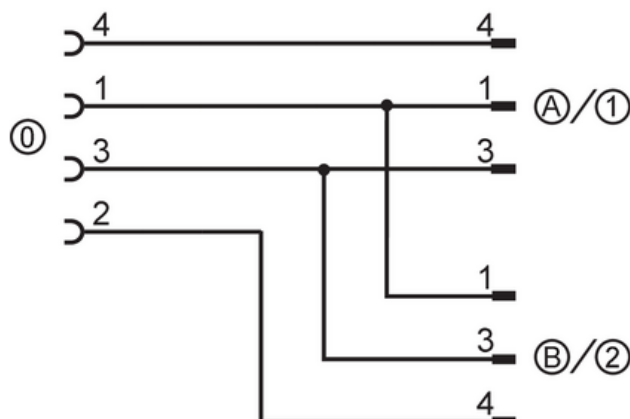
Pack quantity		1 pcs.
---------------	--	--------

Electrical connection

Cable: 0.3 m, PUR, Halogen-free, orange, Ø 4.0 mm; 3 x 0.34 mm² (42 x Ø 0.1 mm)

Electrical connection - Socket C

Connection



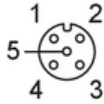
E12723



Y connection cable

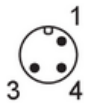
Y SPLITTER CABLE/M12 SOCKET/2xM12 PLUG

Connector: 1 x M12, straight; coding: A; Contacts: 4, gold-plated; Moulded body: TPU (urethane), black; Locking: diecast zinc, nickel-plated; sealing: FKM; Tightening torque: 0.6...1.5 Nm



Electrical connection - plug A (1)

Connector: 1 x M12, straight; coding: A; Contacts: 3, gold-plated; Moulded body: TPU (urethane), black; Locking: diecast zinc, nickel-plated; Tightening torque: 0.6...1.5 Nm



Electrical connection - plug B (2)

Connector: 1 x M12, straight; coding: A; Contacts: 3, gold-plated; Moulded body: TPU (urethane), black; Locking: diecast zinc, nickel-plated; Tightening torque: 0.6...1.5 Nm

