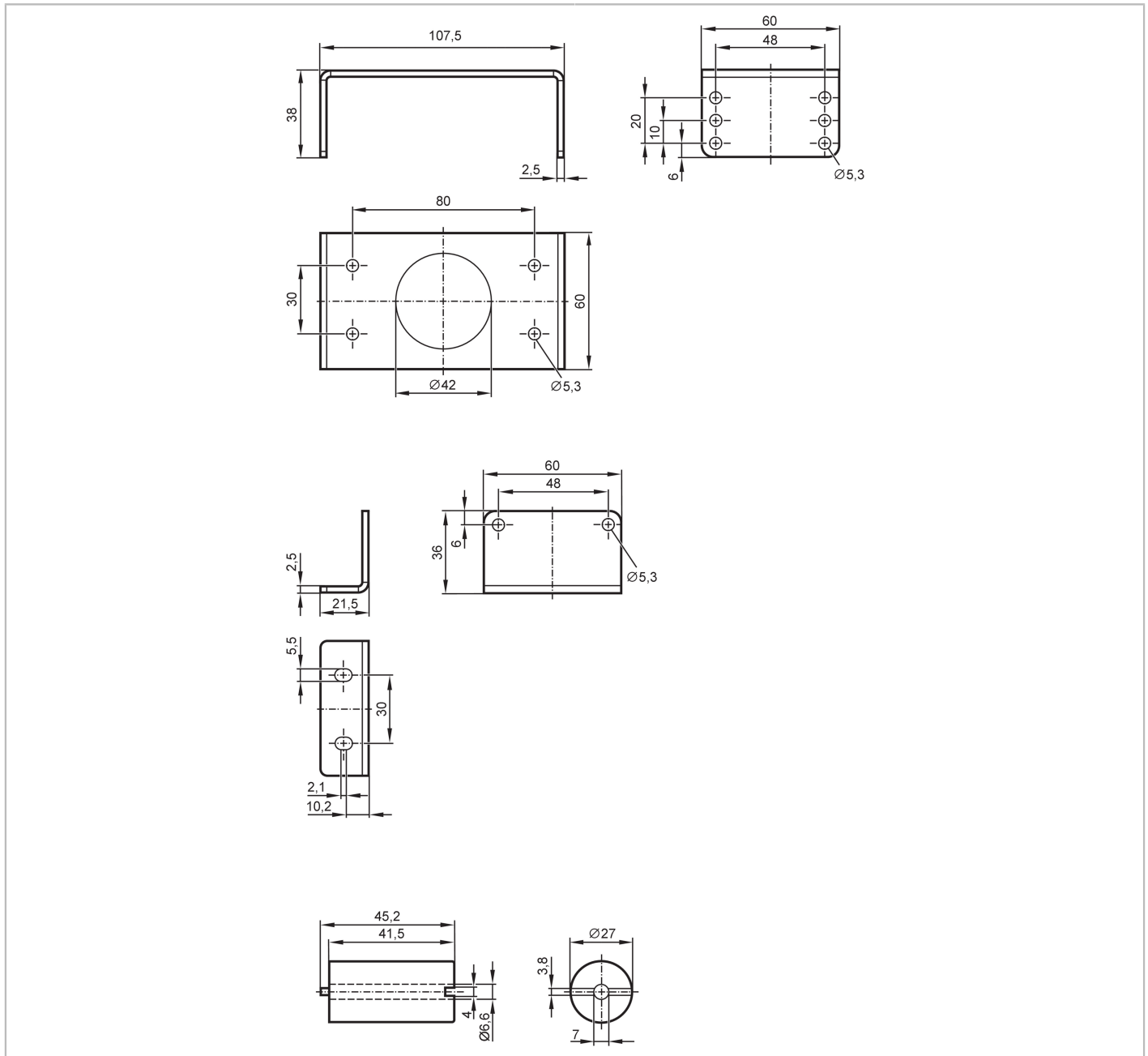


E12674



Assembly angle

VALVE BRACKET 20-40MM



Application	
Design	for mechanical interfaces to pneumatic actuators VDI / VDE 3845
Mechanical data	
Weight [g]	471.5
Hole spacing for mounting bracket	80 x 30 / 130 x 30 mm
Shaft height for valve drive	20 / 30 / 40 mm
Suitable for shaft diameters [mm]	> 38
Material	Assembly angle: stainless steel (1.4404 / 316L); shaft adapter: aluminum
Accessories	
Items supplied	socket head screw: 1 x (M6 x 60 mm), stainless steel socket head screws: 8 x (M5 x 8 mm), stainless steel Hexagon nuts: 8 x M5, stainless steel

E12674



Assembly angle

VALVE BRACKET 20-40MM

Remarks

Pack quantity

1 pcs.