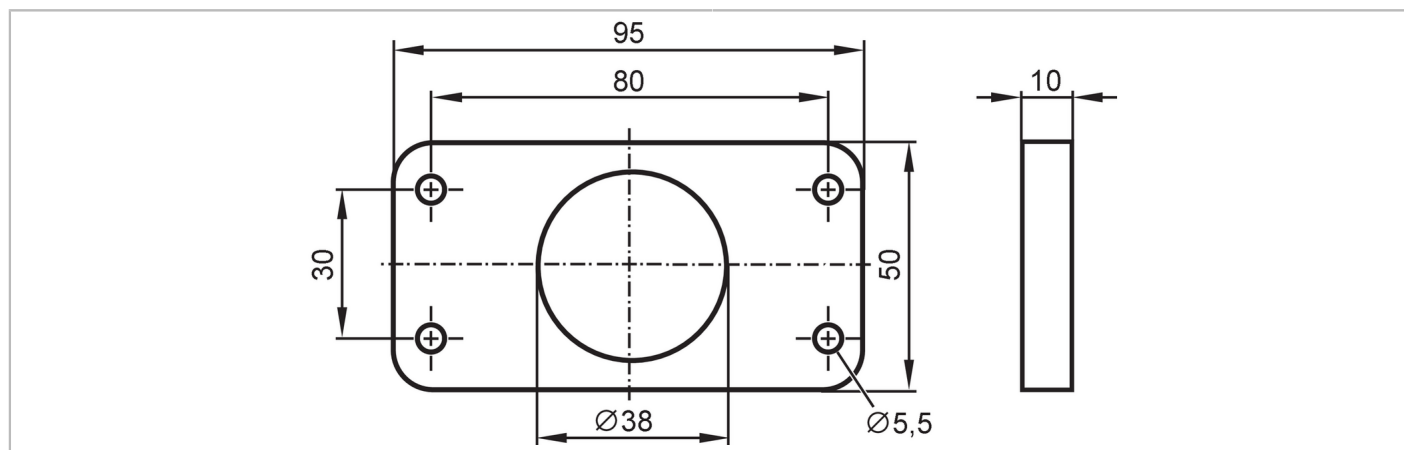


E12569



Mounting plate

ADAPTER 80X30X10



Application	
Design	for types MVQ
Mechanical data	
Weight [g]	71.6
Dimensions [mm]	10 x 95 x 50
Hole spacing for mounting bracket	80 x 30 mm
Shaft height for valve drive	30 mm
Suitable for shaft diameters [mm]	< 38
Material	POM black
Accessories	
Items supplied	socket head screws: 4 x (M5 x 25 mm), stainless steel
Remarks	
Pack quantity	1 pcs.