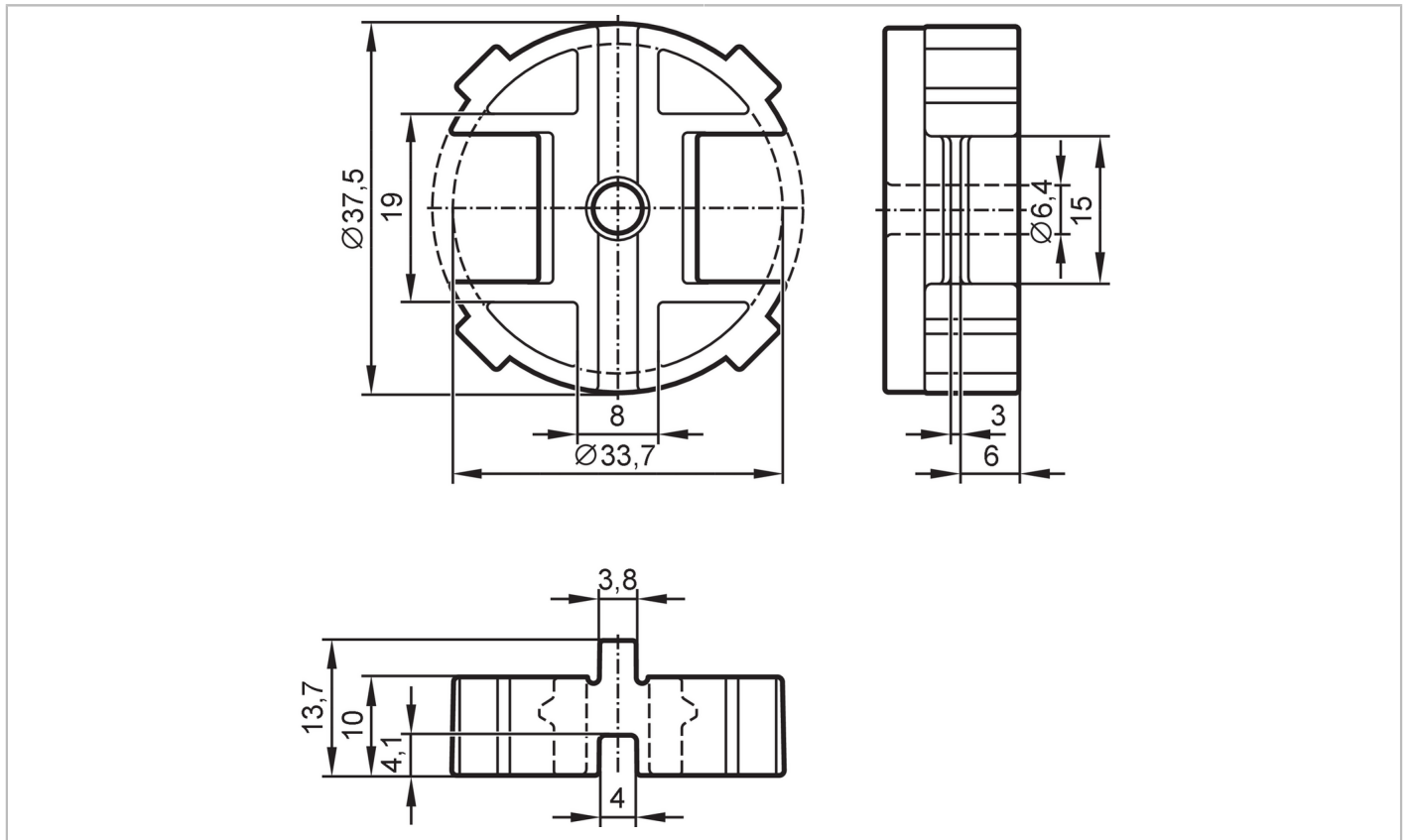


E12526



Spacer for target puck

SPACER 10MM FOR PUCK



Application	
Design	for mechanical interfaces to pneumatic actuators or manually-operated valves VDI / VDE 3845, ISO 5211 / DIN 3337
Installation	compensation height 10 mm
Mechanical data	
Weight [g]	13.2
Dimensions [mm]	$\varnothing 37.5 / L = 13.7$
Material	PA 6 black; screw: stainless steel
Accessories	
Items supplied	half-round head screw: 1 x (M6 x 25 mm), EN ISO 7380-2:2011
Remarks	
Pack quantity	1 pcs.