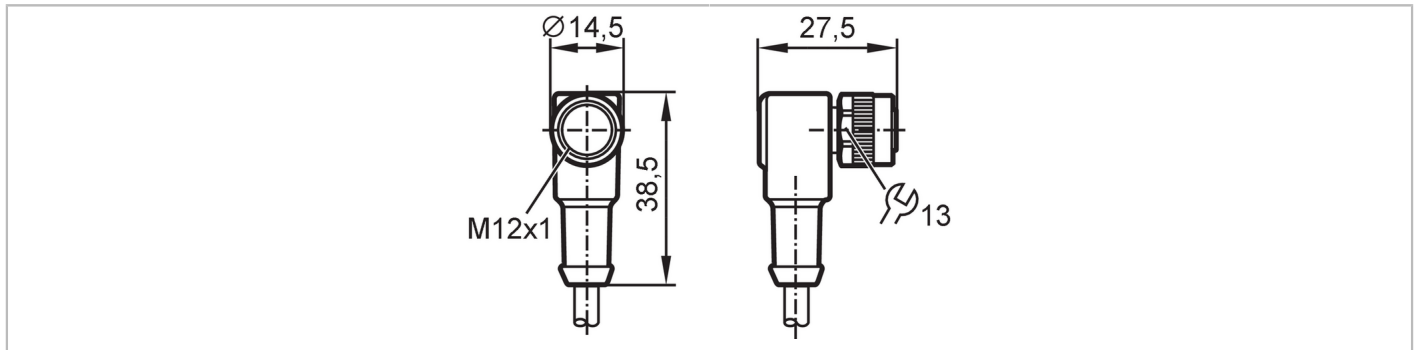


# E12457



## Female cordset

ADOAH120MSS0005H12



### Application

Special feature	Free from silicone; Halogen-free; gold-plated contacts; Drag chain suitability
Application	Industrial applications
Free from silicone	yes

### Electrical data

Operating voltage [V]	< 30 AC/DC
Protection class	II
Max. current load total [A]	1.5

### Operating conditions

Ambient temperature [°C]	-25...90
Protection	IP 67

### Mechanical data

Weight [g]	326	
Molded-body material	PUR	
Material nut	diecast zinc, nickel-plated	
Drag chain suitability	yes	
Drag chain suitability	Bending radius for flexible applications	min. 10 x cable diameter
	Travel speed	max. 3.3 m/s for a horizontal travel length of 5 m and max. acceleration of 5 m/s <sup>2</sup>
	Bending cycles	> 2 Mio.
	Torsional strain	360 °/m

### Remarks

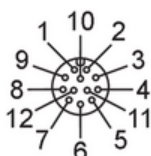
Pack quantity	1 pcs.
---------------	--------

### Electrical connection

Cable: 5 m, PUR, Halogen-free, black, Ø 6.6 mm; 12 x 0.25 mm<sup>2</sup>

### Electrical connection - Socket

Connector: 1 x M12, angled; Contacts: 12, gold-plated; Moulded body: PUR; Locking: diecast zinc, nickel-plated; Tightening torque: 0.7...0.9 Nm



# E12457



## Female cordset

ADOAH120MSS0005H12

### Connection

1	BN
2	BU
3	WH
4	GN
5	PK
6	YE
7	BK
8	GY
9	RD
10	VT
11	GY/PK
12	RD/BU

	Core colors :
BK =	black
BN =	brown
BU =	blue
GN =	green
GY =	grey
GY/PK =	grey/pink
PK =	pink
RD =	red
VT =	lilac
WH =	white
YE =	yellow
RD/BU =	red/blue