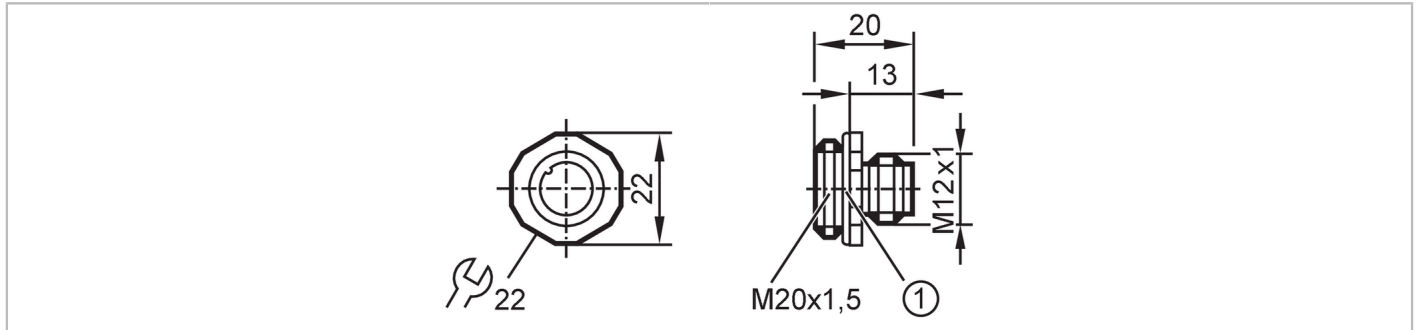


E11293



Male receptacle

ESTGH040MSS0,05E04 (M20)



Electrical data	
Operating voltage [V]	< 250 AC/DC
Operating conditions	
Ambient temperature [°C]	-25...85
Protection	IP 68
Mechanical data	
Weight [g]	22.6
Mounting thread	M20
Material	housing: brass nickel-plated
Remarks	
Pack quantity	1 pcs.
Electrical connection	
Cable: 0.05 m, PVC; 4 x 0.25 mm ²	
Electrical connection - plug	
Connector: 1 x M12, straight; coding: A; Contacts: 4	

E11293



Male receptacle

ESTGH040MSS0,05E04 (M20)

Connection

1	BN
2	WH
3	BU
4	BK

Core colors :
BK = black
BN = brown
BU = blue
WH = white