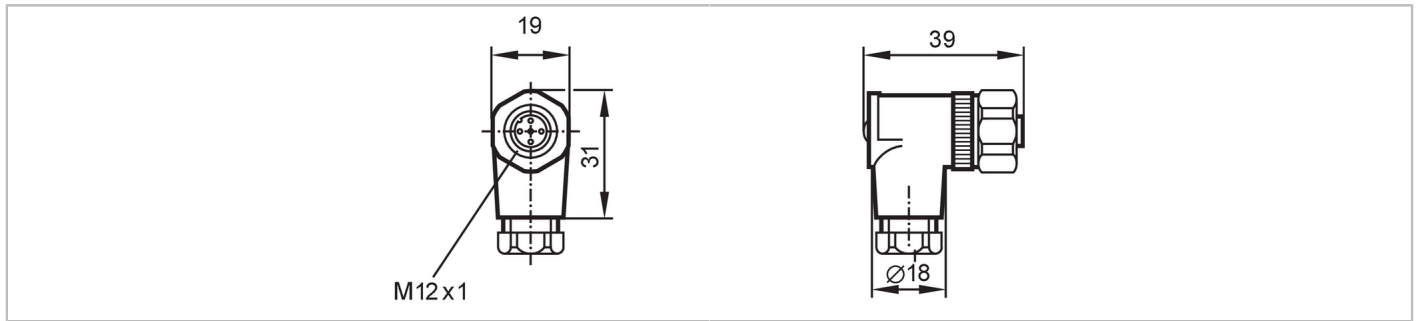


E11252



Female wirable connectors

SDOAH040VASFKPG



Application	
Special feature	Free from silicone; gold-plated contacts
Application	Industrial applications
Free from silicone	yes
Electrical data	
Operating voltage [V]	< 45 AC / < 70 DC
Max. current load total [A]	4; (...40 °C)
Operating conditions	
Ambient temperature [°C]	-40...85
Protection	IP 67
Mechanical data	
Weight [g]	28.2
Dimensions [mm]	39 x 19 x 31
Molded-body material	PA
Material nut	stainless steel (1.4404 / 316L)

Remarks	
Pack quantity	1 pcs.

Electrical connection
 screw terminals: ...0.75 mm²; Cable sheath: Ø 6...8 mm

Electrical connection - Socket
 Connector: 1 x M12, angled; coding: A; Contacts: 4, gold-plated; Moulded body: PA; Locking: stainless steel (1.4404 / 316L)

