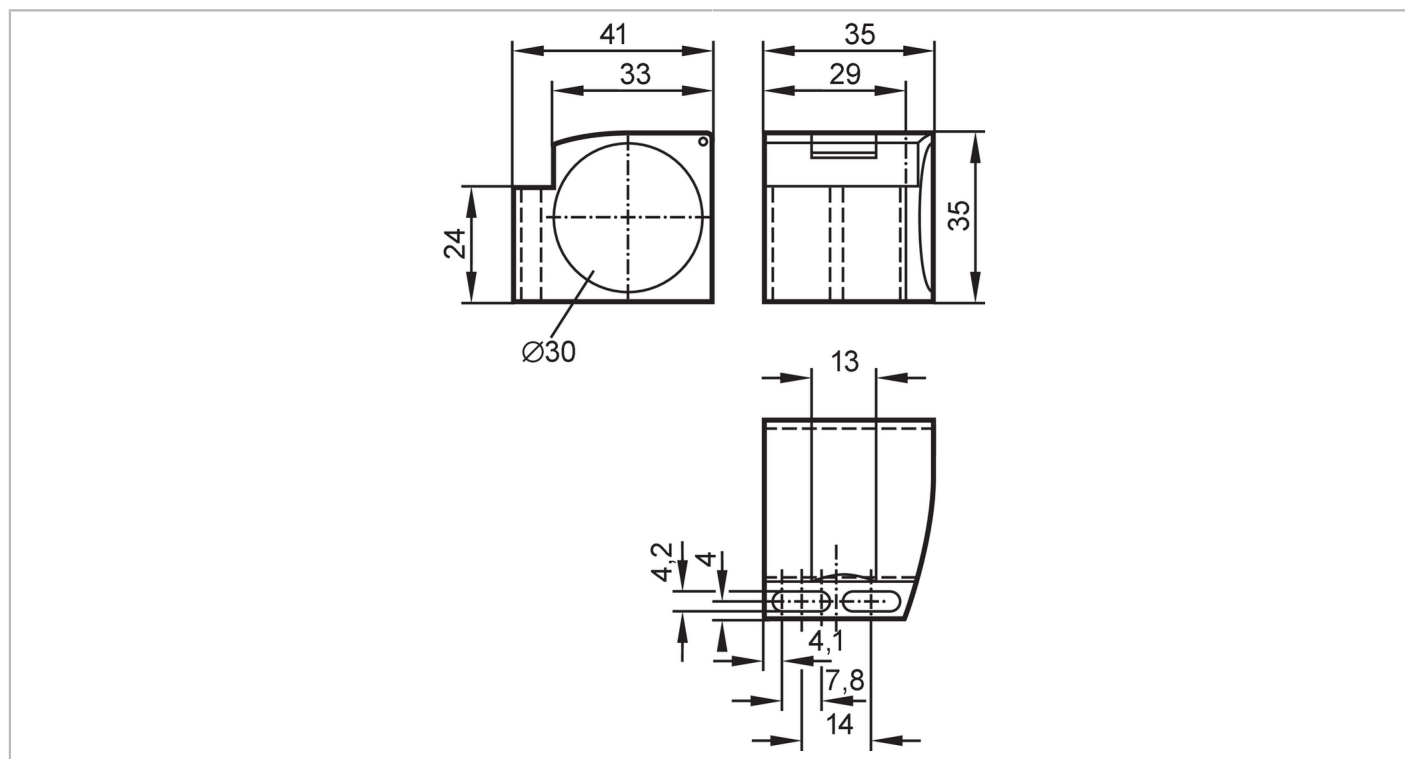


E11049



Mounting clamp for position sensors

MOUNTING CLAMP M30



Application	
Design	with end stop
Operating conditions	
Ambient temperature [°C]	-25...85
Mechanical data	
Weight [g]	33.1
Inside diameter [mm]	30
Material	PC
Remarks	
Pack quantity	1 pcs.