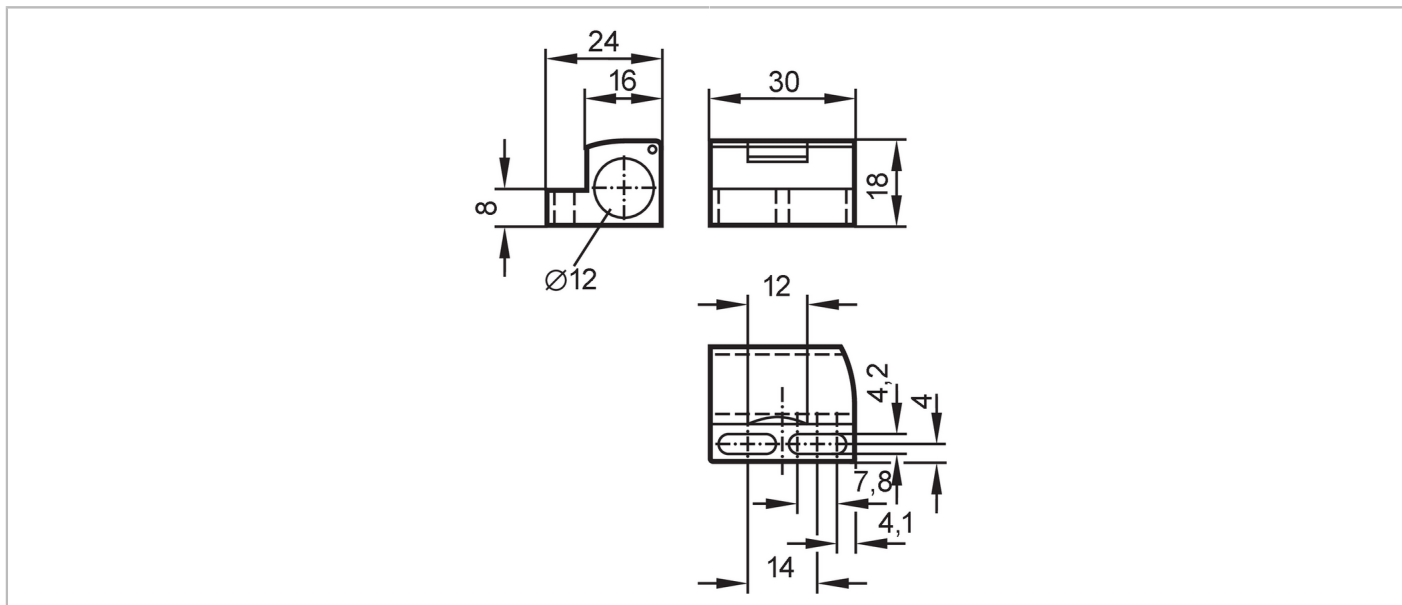


# E11047



## Mounting clamp for position sensors

MOUNTING CLAMP M12



Application	
Design	with end stop
Operating conditions	
Ambient temperature [°C]	-25...85
Mechanical data	
Weight [g]	8
Dimensions [mm]	18 x 30 x 24
Inside diameter [mm]	12
Material	PC
Remarks	
Pack quantity	1 pcs.