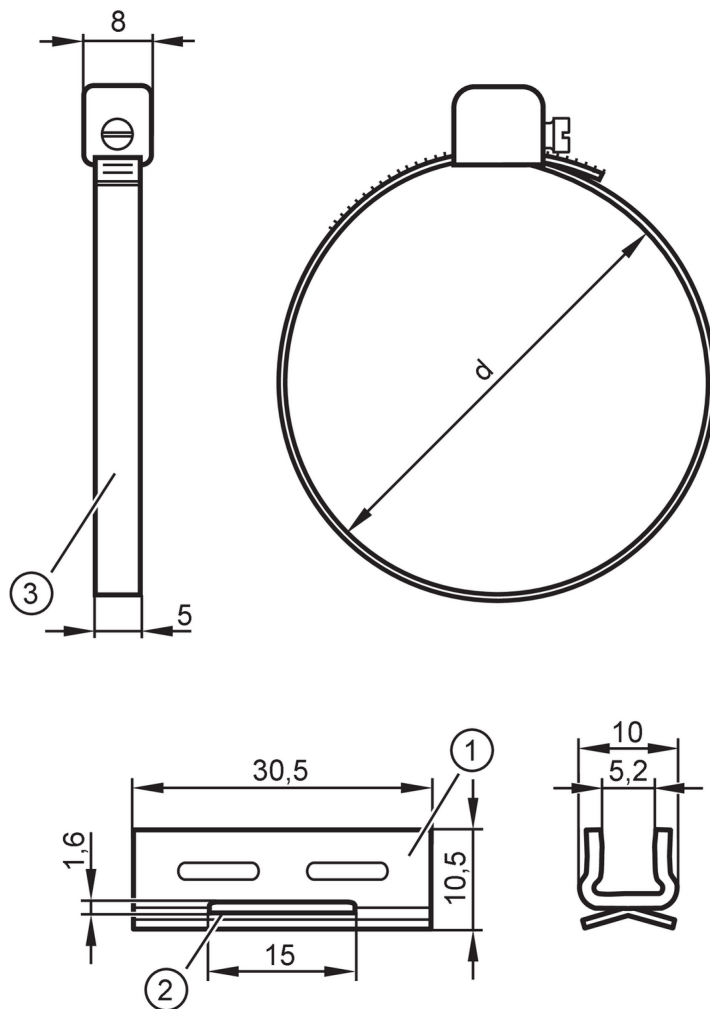


E11976



Fixing strap for smooth body cylinders

FIXING STRAP CLEAN-LINE CYL



- 1 Adapter
- 2 slot for fixing strap
- 3 Fixing strap for smooth body cylinders

Application	
Design	for types MKT
Mechanical data	
Weight [g]	15.5
Dimensions [mm]	Ø 20
Material	Adapter: stainless steel (1.4301 / 304); fixing strap: stainless steel (1.4305 / 303)
Piston diameter [mm]	20...25
Clamping range [mm]	18...29
Accessories	
Items supplied	Adapter: 1 x for types MKT Fixing strap for smooth body cylinders: 1
Remarks	
Pack quantity	1 pcs.