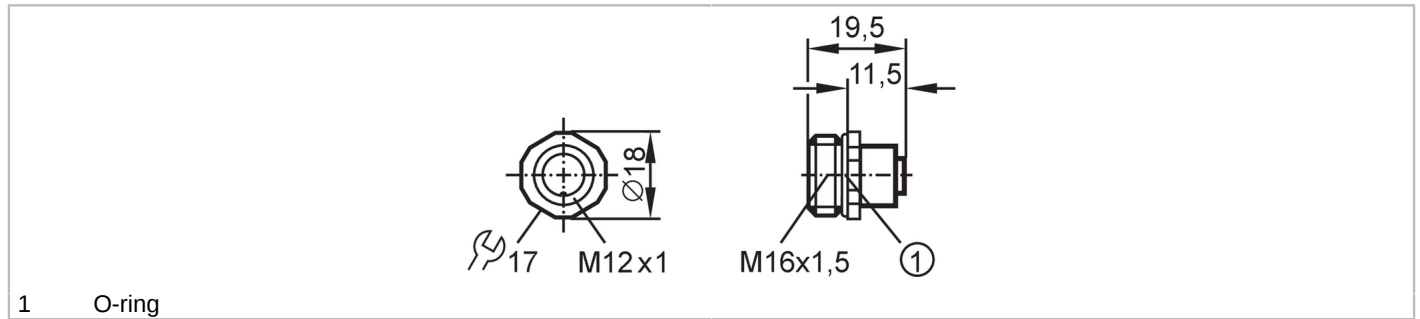


E11917



Female receptacle

EDOGH050MSS00,7E05(M16)



1 O-ring

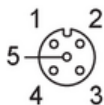


Application	
Application	Industrial applications
Electrical data	
Operating voltage [V]	< 125 AC/DC
Operating conditions	
Ambient temperature [°C]	-25...85
Protection	IP 68
Mechanical data	
Weight [g]	25.1
Mounting thread	M16
Material	housing: diecast zinc nickel-plated
Remarks	
Pack quantity	1 pcs.

Electrical connection
Cable: 0.7 m, PVC; 4 x 0.25 mm² + 1 x 0.5 mm²

Electrical connection - Socket

Connector: 1 x M12; coding: A; Contacts: 5



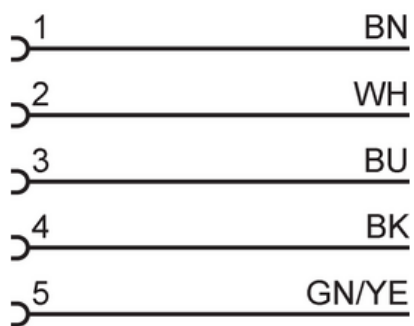
E11917



Female receptacle

EDOGH050MSS00,7E05(M16)

Connection



Core colors :
BK = black
BN = brown
BU = blue
GN/YE = green/yellow
WH = white