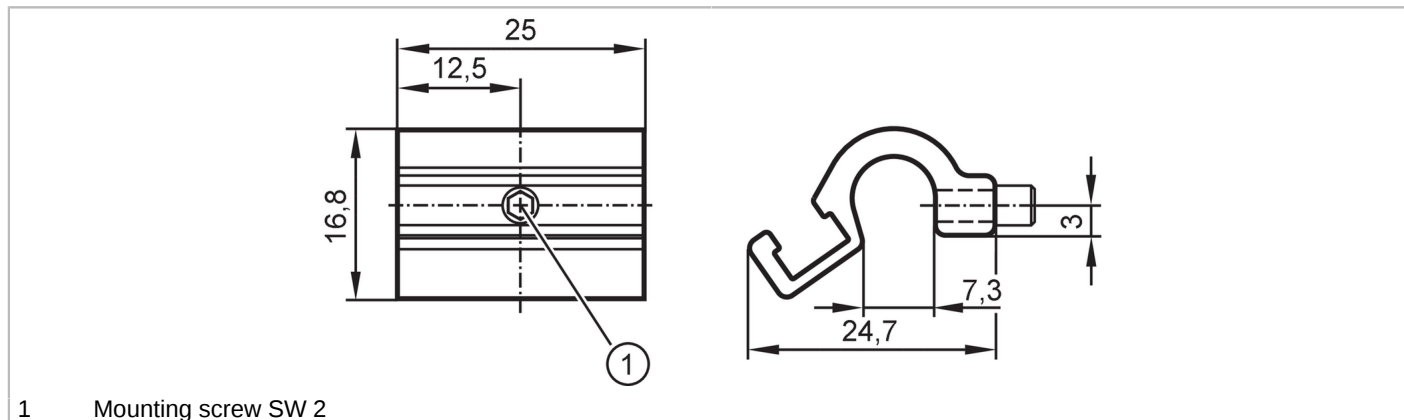


E11913



Mounting adapter for tie-rod/integrated profile cylinders

ADAPT TIE ROD CYL D3-6



Application	
Design	for types MKT
Mechanical data	
Weight [g]	9.4
Material	Adapter: aluminum; screw: stainless steel
Clamping range [mm]	3...7
Accessories	
Items supplied	Mounting screw: 1
Remarks	
Pack quantity	1 pcs.