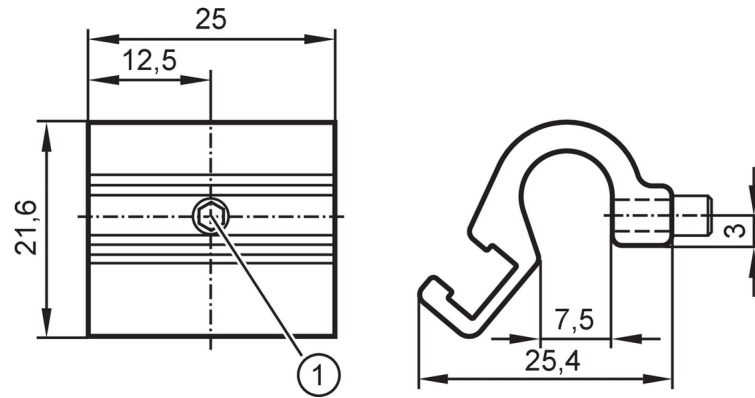


E11912



Mounting adapter for tie-rod/integrated profile cylinders

ADAPT TIE ROD CYL D5-7



1 Mounting screw SW 2

Application

Design for types MKT

Mechanical data

Weight [g]	11.5
Material	Adapter: aluminum; screw: stainless steel
Clamping range [mm]	5...7

Accessories

Items supplied Mounting screw: 1

Remarks

Pack quantity 1 pcs.