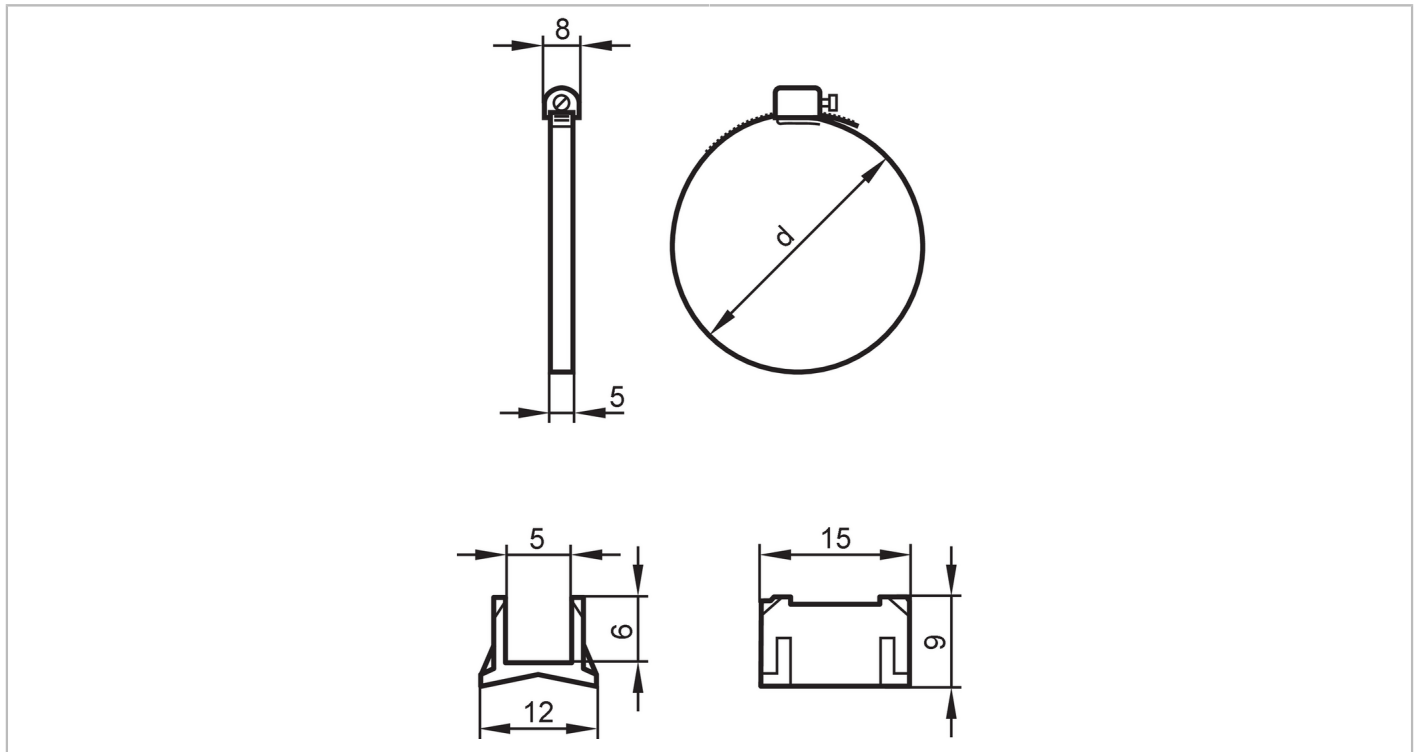


E11817



Fixing strap for smooth body cylinders

FIXING STRAP CLEAN-LINE CYL



| Application | |
|----------------------|---|
| Design | for types MKT |
| Mechanical data | |
| Weight [g] | 6.2 |
| Dimensions [mm] | Ø 16 |
| Material | Adapter: PA; fixing strap: stainless steel (1.4305 / 303) |
| Piston diameter [mm] | 16...20 |
| Clamping range [mm] | 18...29 |
| Accessories | |
| Items supplied | Adapter: 1 x for types MKT Fixing strap for smooth body cylinders: 1 |
| Remarks | |
| Pack quantity | 1 pcs. |