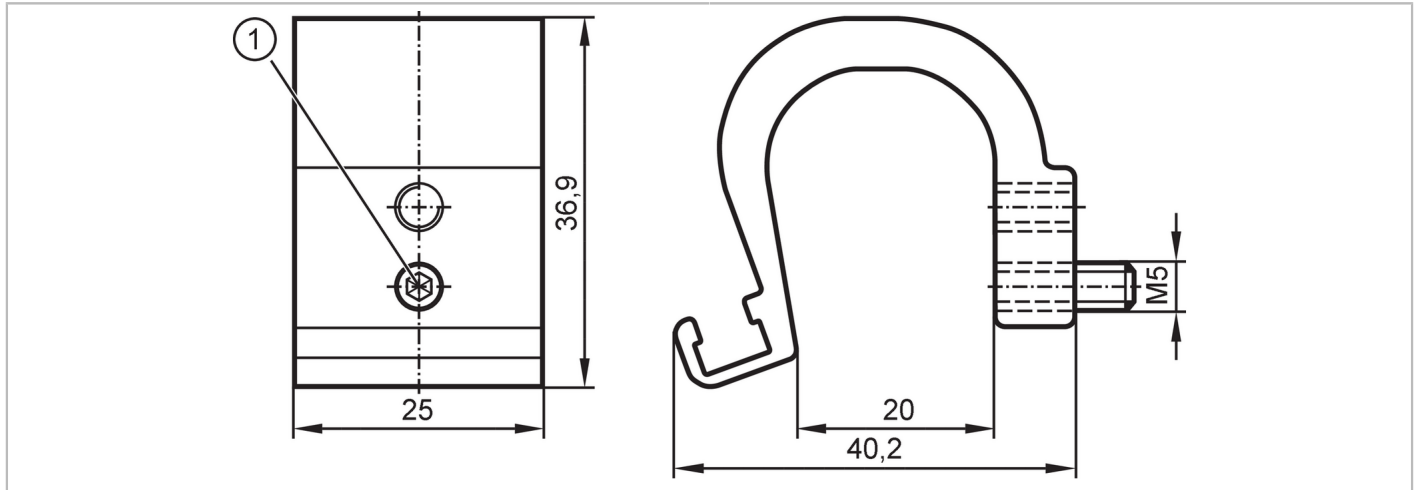


# E11801



## Mounting adapter for tie-rod/integrated profile cylinders

ADAPT TIE ROD/PROFILE CYL



Application	
Design	for types MKT
Mechanical data	
Weight [g]	31.4
Material	Adapter: aluminum; screw: stainless steel
Clamping range [mm]	14...20
Remarks	
Pack quantity	1 pcs.