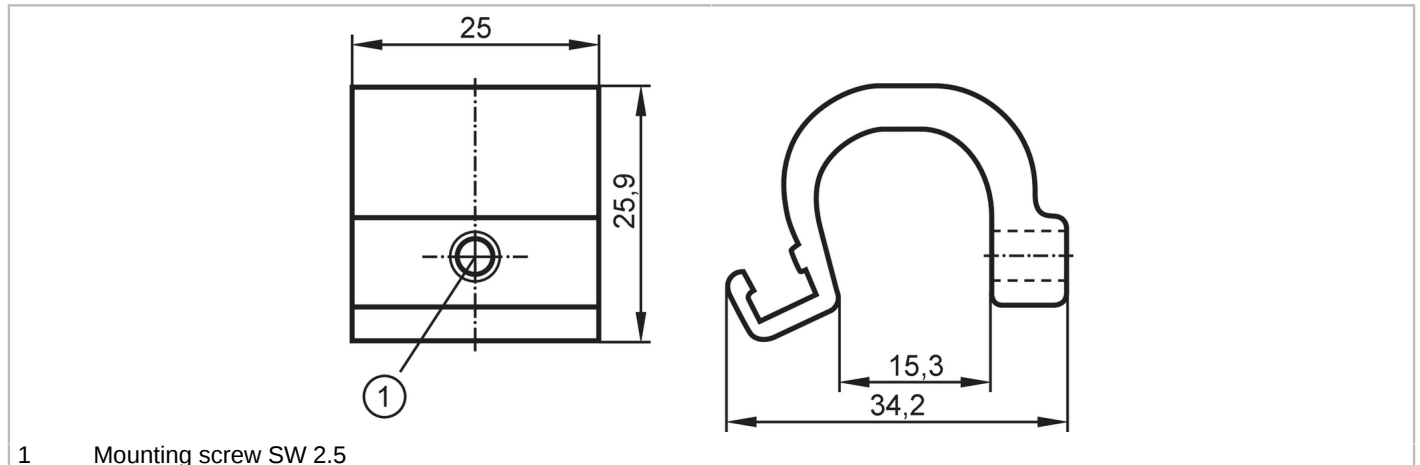


E11799



Mounting adapter for tie-rod/integrated profile cylinders

ADAPT TIE ROD/PROFILE/CYL



1 Mounting screw SW 2.5

Application	
Design	for types MKT
Mechanical data	
Weight [g]	22
Dimensions [mm]	25.9 x 25 x 34.2
Material	Adapter: aluminum; screw: stainless steel
Clamping range [mm]	9...15
Remarks	
Pack quantity	1 pcs.