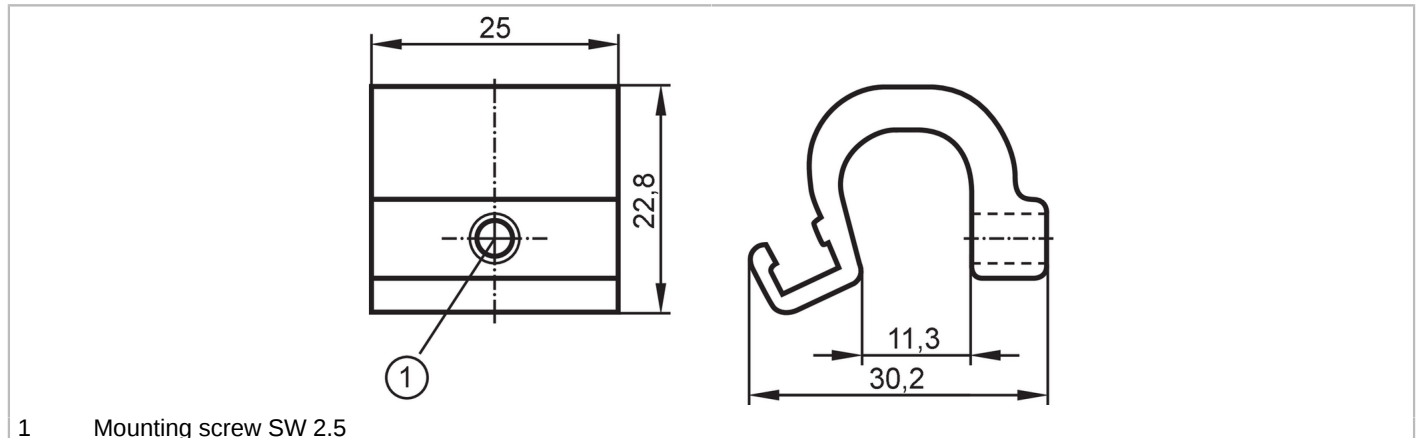


E11797



Mounting adapter for tie-rod/integrated profile cylinders

ADAPT TIE ROD/PROFILE CYL



1 Mounting screw SW 2.5

Application	
Design	for types MKT
Mechanical data	
Weight [g]	16.9
Dimensions [mm]	22.8 x 25 x 30.2
Material	Adapter: aluminum; screw: stainless steel
Clamping range [mm]	5...11
Remarks	
Pack quantity	1 pcs.