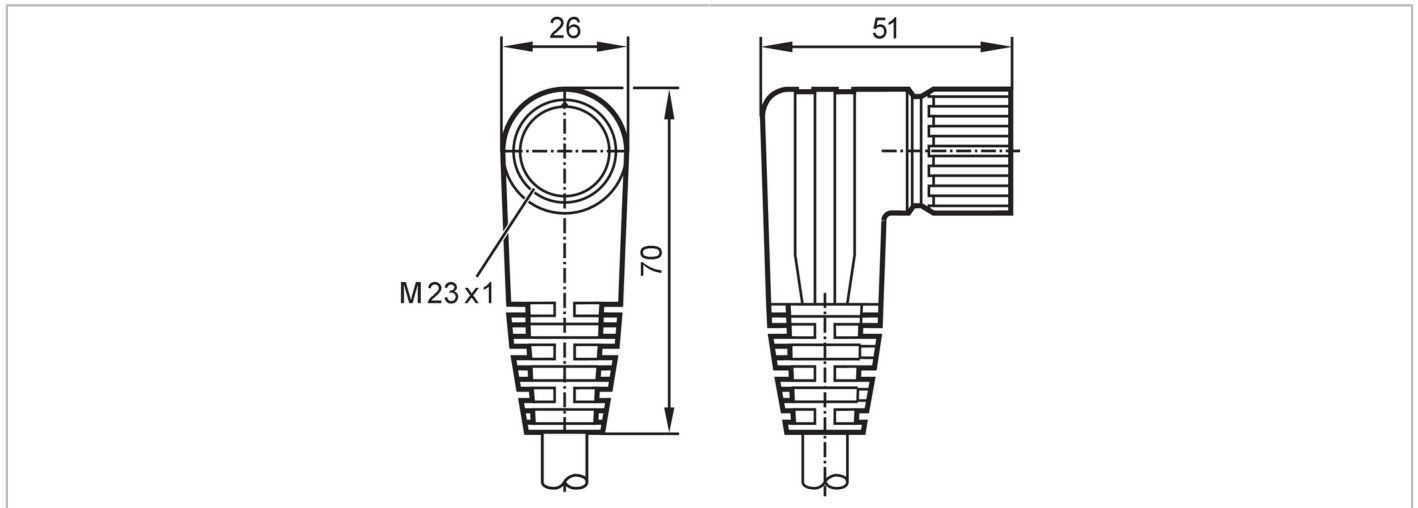


E11740



Female cordset

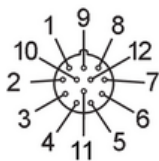
ADOAK120MSS0010H12



| Application | |
|-----------------------------|-------------------------|
| Special feature | Halogen-free |
| Application | Industrial applications |
| Electrical data | |
| Operating voltage [V] | < 63 AC/DC |
| Max. current load total [A] | 8 |
| Operating conditions | |
| Ambient temperature [°C] | -25...80 |
| Protection | IP 67 |
| Mechanical data | |
| Weight [g] | 1390 |
| Dimensions [mm] | 51 x 26 x 70 |
| Molded-body material | PUR |
| Material nut | brass, nickel-plated |
| Tightening torque [Nm] | 2 |
| Remarks | |
| Pack quantity | 1 pcs. |

Electrical connection
 Cable: 10 m, PUR, Halogen-free, black, Ø 9.3 mm; 8 x 0.5 mm² (63 x Ø 0.1 mm) + 3 x 1.0 mm² (127 x Ø 0.1 mm)

Electrical connection - Socket
 Connector: 1 x M23, angled; Contacts: 12; Moulded body: PUR, black; Locking: brass, nickel-plated



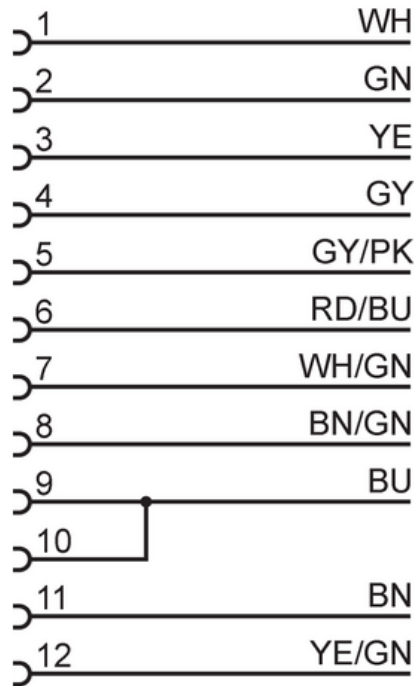
E11740



Female cordset

ADOAK120MSS0010H12

Connection



Core colors :
BN = brown
BU = blue
GN = green
GY = grey
PK = pink
RD = red
WH = white
YE = yellow