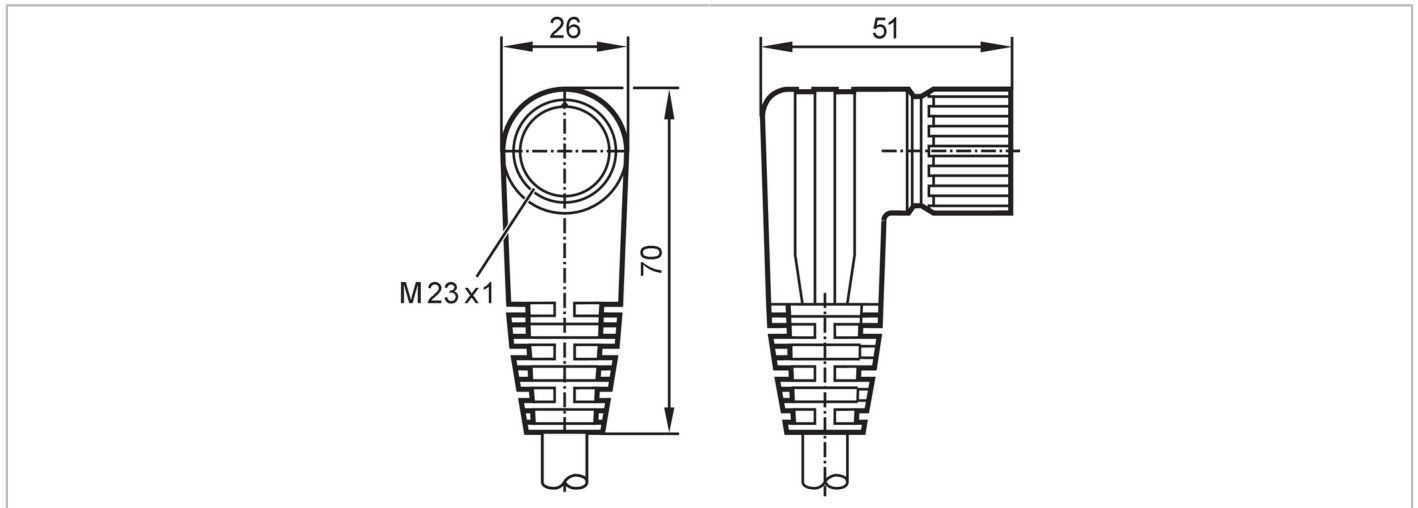


# E11739



## Female cordset

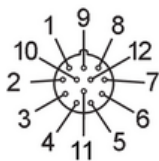
ADOAK120MSS0005H12



Application	
Special feature	Halogen-free
Application	Industrial applications
Electrical data	
Operating voltage [V]	< 63 AC/DC
Max. current load total [A]	8
Operating conditions	
Ambient temperature [°C]	-25...80
Protection	IP 67
Mechanical data	
Weight [g]	748.5
Dimensions [mm]	51 x 26 x 70
Molded-body material	PUR
Material nut	brass, nickel-plated
Tightening torque [Nm]	2
Remarks	
Pack quantity	1 pcs.

**Electrical connection**  
 Cable: 5 m, PUR, Halogen-free, black, Ø 9.3 mm; 8 x 0.5 mm<sup>2</sup> (63 x Ø 0.1 mm ) + 3 x 1.0 mm<sup>2</sup> (127 x Ø 0.1 mm )

**Electrical connection - Socket**  
 Connector: 1 x M23, angled; Contacts: 12; Moulded body: PUR, black; Locking: brass, nickel-plated



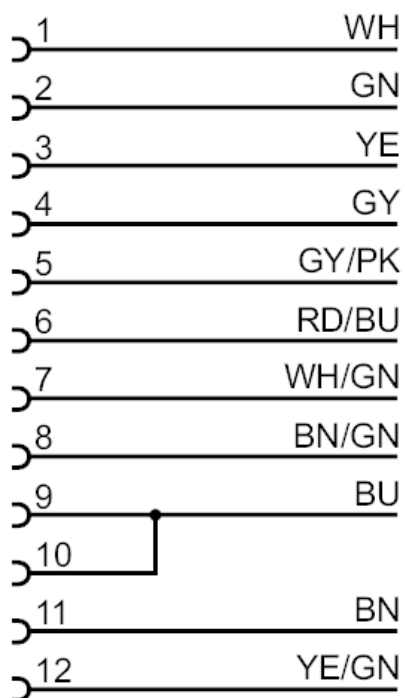
# E11739



## Female cordset

ADOAK120MSS0005H12

### Connection



Core colors :

BN =	brown
BU =	blue
GN =	green
GY =	grey
PK =	pink
RD =	red
WH =	white
YE =	yellow