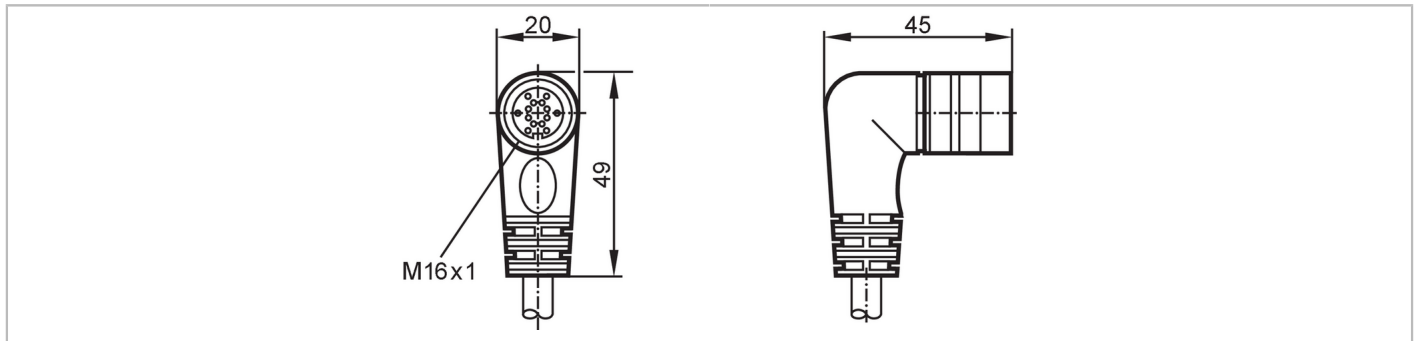


E11645



Female cordset

ADOAO140MSS0002A12



Application	
Application	Industrial applications
Electrical data	
Operating voltage [V]	< 30 DC
Max. current load total [A]	3
Operating conditions	
Ambient temperature [°C]	-25...90
Protection	IP 67
Mechanical data	
Weight [g]	302.65
Dimensions [mm]	45 x 20 x 49
Molded-body material	PUR
Material nut	brass, nickel-plated
Remarks	
Pack quantity	1 pcs.

Electrical connection
 Cable: 2 m, PVC/PUR, black, Ø 9.2 mm; 2 x 0.75 mm² (42 x Ø 0.15 mm) / brown, blue + 10 x 0.34 mm² (19 x Ø 0.15 mm)

Electrical connection - Socket
 Connector: 1 x M16, angled; Contacts: 11; Moulded body: PUR; Locking: brass, nickel-plated

E11645



Female cordset

ADOAO140MSS0002A12

Connection

A	BN
C	WH/PK
E	BK
G	PK
J	GN
L	BU
N	PK/BN
O	VT
P	WH
R	RD
S	GY
T	YE

M: not used

U: not used

Core colors :

BK = black
BN = brown
BU = blue
GN = green
GY = grey
PK = pink
VT = lilac
WH = white
YE = yellow
RD = red