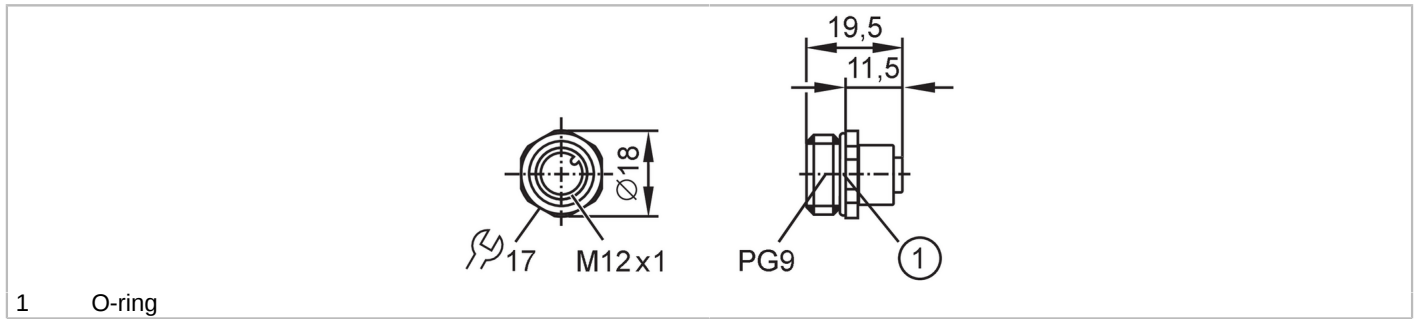


E11601



Female receptacle

EDOGH080MSS00,5E08 (PG9)



1 O-ring



Electrical data	
Operating voltage [V]	< 30 AC / < 36 DC
Operating conditions	
Ambient temperature [°C]	-25...90
Protection	IP 67
Mechanical data	
Weight [g]	33
Mounting thread	PG 9
Material	housing: brass nickel-plated
Remarks	
Pack quantity	1 pcs.

Electrical connection
Cable: 0.5 m, PVC; 8 x 0.25 mm² (14 x Ø 0.15 mm)

Electrical connection - Socket
Connector: 1 x M12, straight; coding: A; Contacts: 8

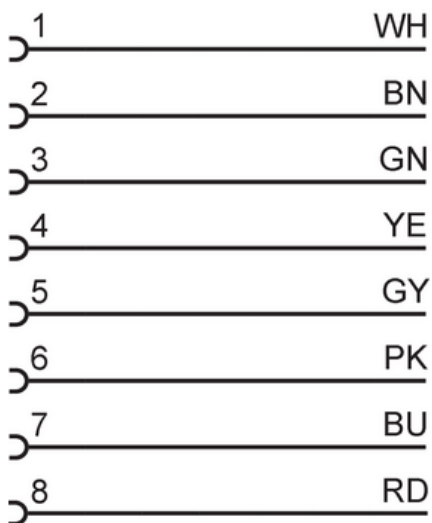
E11601



Female receptacle

EDOGH080MSS00,5E08 (PG9)

Connection



Colors to DIN 47100
Core colors :

BN =	brown
BU =	blue
GN =	green
GY =	grey
PK =	pink
RD =	red
WH =	white
YE =	yellow