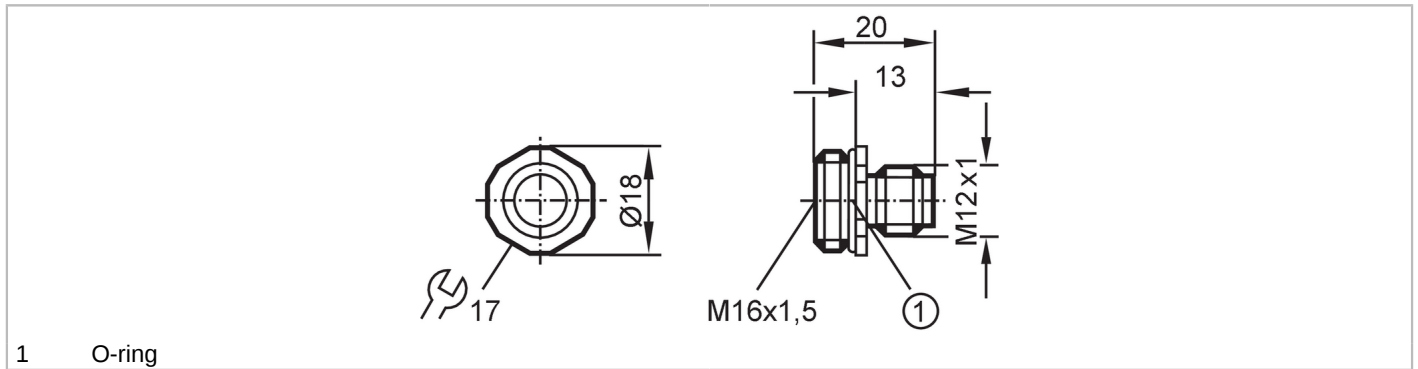


E11588



Male receptacle

ESTGH050MSS00,5E05 (M16)



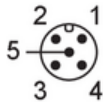
1 O-ring



Electrical data	
Operating voltage [V]	< 125 AC/DC
Operating conditions	
Ambient temperature [°C]	-25...85
Protection	IP 68
Mechanical data	
Weight [g]	20.3
Mounting thread	M16
Material	housing: diecast zinc nickel-plated
Remarks	
Pack quantity	1 pcs.

Electrical connection
Cable: 0.5 m, PVC; 5 x 0.25 mm²

Electrical connection - plug
Connector: 1 x M12, straight; coding: A; Contacts: 5



E11588



Male receptacle

ESTGH050MSS00,5E05 (M16)

Connection

1	BN
2	WH
3	BU
4	BK
5	GN/YE

	Core colors :
BK =	black
BN =	brown
BU =	blue
GN =	green
WH =	white
YE =	yellow