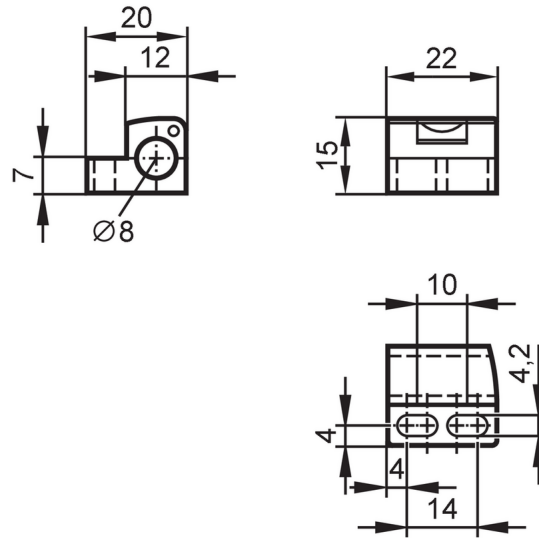


E11521



Mounting clamp for position sensors

MOUNTING CLAMP M8



Application

Design with end stop

Operating conditions

Ambient temperature [°C] -25...85

Mechanical data

Weight [g] 4.3

Dimensions [mm] 15 x 20 x 22

Inside diameter [mm] 8

Material PC

Remarks

Pack quantity 1 pcs.