

E11512



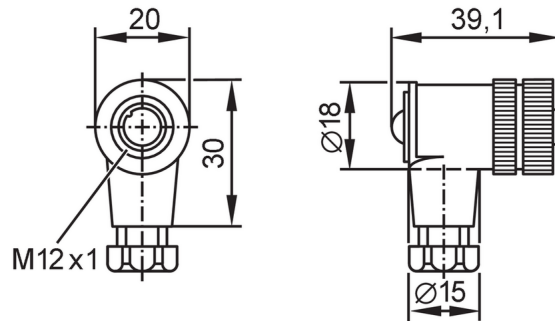
Female wirable connectors

SDOAH050MSSFKPG

Article to be discontinued

Alternative articles: EVC815

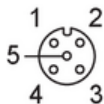
When selecting an alternative article and accessories please note that technical data may differ!



Application	
Special feature	Free from silicone; gold-plated contacts
Free from silicone	yes
Electrical data	
Operating voltage [V]	< 45 AC / < 70 DC
Max. current load total [A]	4; (...40 °C)
Operating conditions	
Ambient temperature [°C]	-25...85
Protection	IP 68
Mechanical data	
Weight [g]	29.1
Dimensions [mm]	39.1 x 20 x 30
Molded-body material	PA
Material nut	brass, nickel-plated
Remarks	
Pack quantity	1 pcs.

Electrical connection
 screw terminals: ...0.75 mm²; Cable sheath: Ø 4...6 mm

Electrical connection - Socket
 Connector: 1 x M12, angled; coding: A; Contacts: 5, gold-plated; Moulded body: PA; Locking: brass, nickel-plated



E11512



Female wirable connectors

SDOAH050MSSFKPG

Connection

