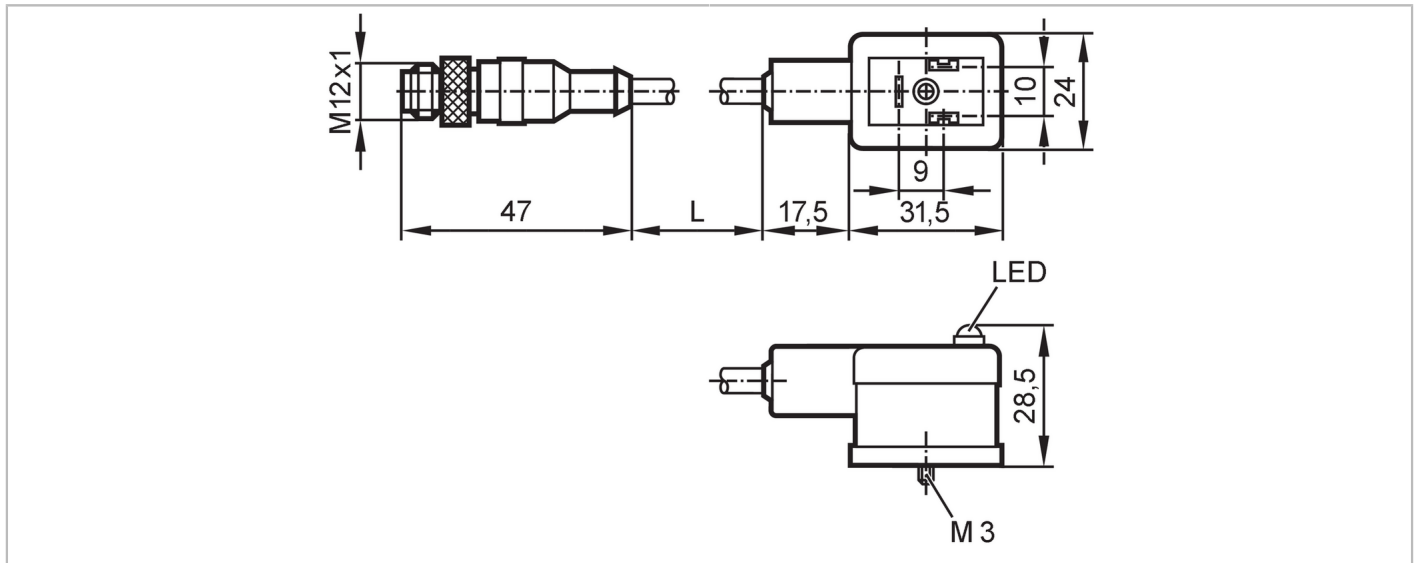


# E11421



## Patchcords with valve plug

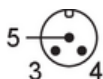
VVDAB031MSS00,3H03STGH030MSS



Application		
Special feature	Free from silicone; Halogen-free; gold-plated contacts	
Free from silicone	yes	
Electrical data		
Operating voltage [V]	< 24 AC/DC	
Overtoltage protection	yes; (VDR)	
Max. current load total [A]	3	
Operating conditions		
Ambient temperature [°C]	-25...80	
Protection	IP 67	
Mechanical data		
Weight [g]	58.2	
Molded-body material	PUR	
Material nut	brass, nickel-plated	
Displays / operating elements		
Display	Power	1 x LED, yellow
Accessories		
Items supplied	screw: 1 panel for labelling: 1	
Remarks		
Pack quantity	1 pcs.	

### Electrical connection - plug

Connector: 1 x M12, straight; coding: A; Contacts: 3, gold-plated; Moulded body: PUR; Locking: brass, nickel-plated; Tightening torque: 0.7...0.9 Nm



# E11421



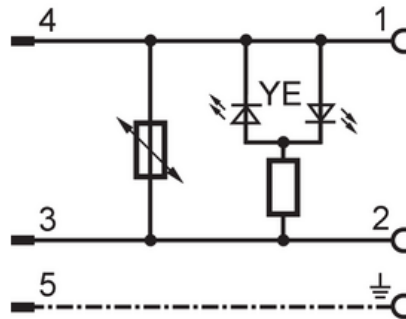
## Patchcords with valve plug

VVDAB031MSS00,3H03STGH030MSS

### Electrical connection

Cable: 0.3 m, PUR, Halogen-free, black, Ø 5 mm; 3 x 0.5 mm<sup>2</sup> (42 x Ø 0.1 mm )

### Connection



### Electrical connection - Socket

Connector: 1 x valve type B DIN, angled; coding: 3; Contacts: nickel-plated brass; Moulded body: PUR; Locking: brass, nickel-plated; Tightening torque: 0.7...0.9 Nm

