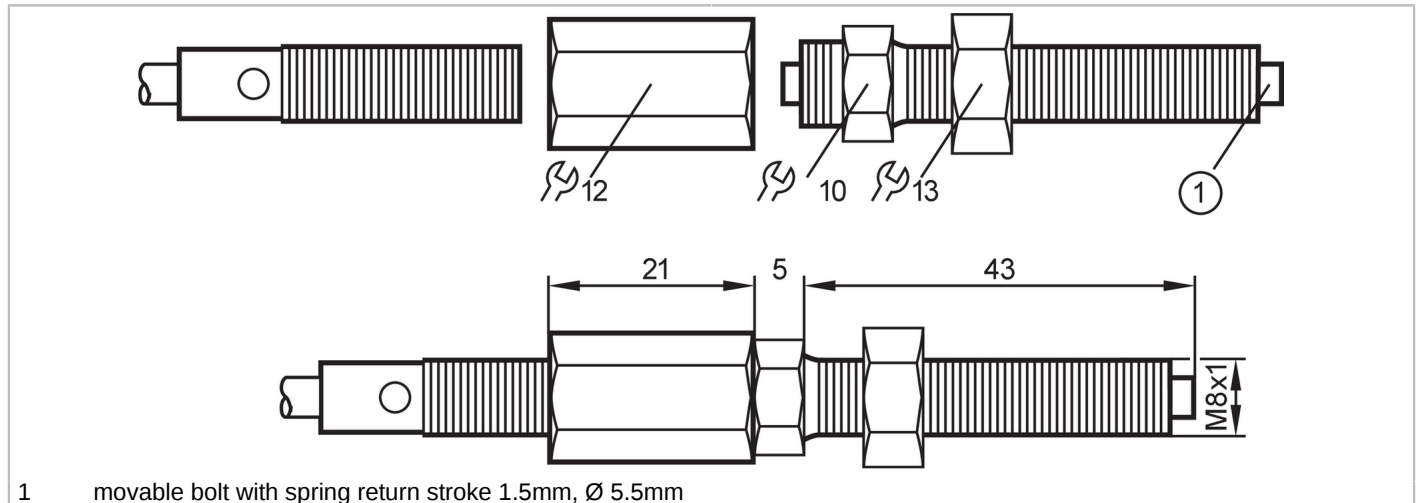


E10154



Limit plunger

LIMIT PLUNGERS IE



1 movable bolt with spring return stroke 1.5mm, Ø 5.5mm

Application	
Design	for types, M8 x 1, Sn = 1 mm b, 2 mm b
Mechanical data	
Weight [g]	36.6
Material	Limit plunger: free cutting steel; plunger: steel (1.0503 / C45K) hardened on front; knurled nut: brass nickel-plated
Activation force [N]	> 5
Remarks	
Pack quantity	1 pcs.