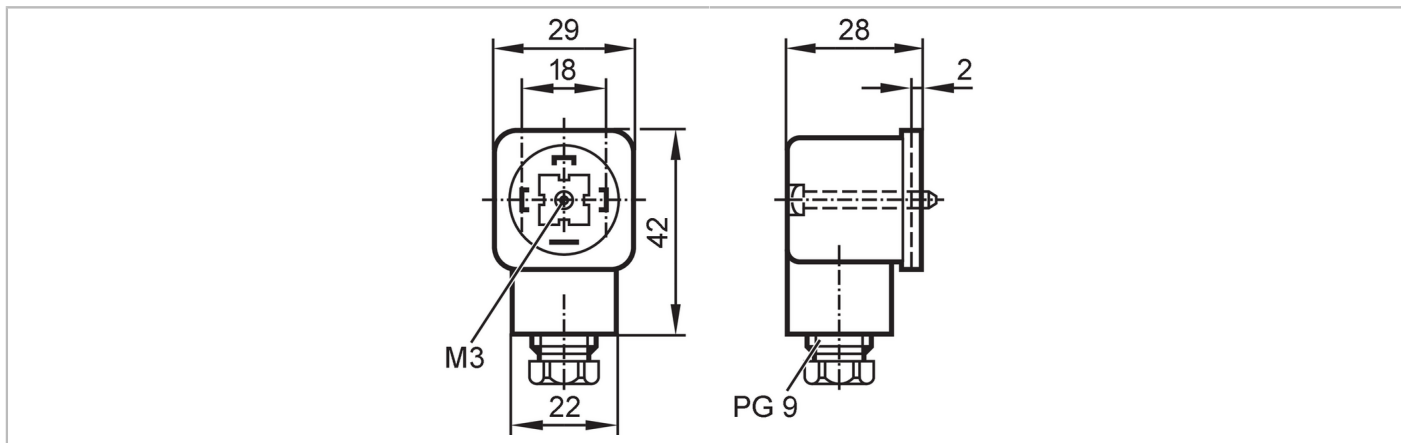


E10058



Wirable valve connector

VALVE PLUG TYPE A



Application

Special feature	Free from silicone
Application	Industrial applications
Free from silicone	yes

Electrical data

Operating voltage	[V]	< 45 AC / < 70 DC
Max. current load total	[A]	16

Operating conditions

Ambient temperature	[°C]	-40...125
Protection		IP 65

Mechanical data

Weight	[g]	28
Dimensions	[mm]	42 x 29 x 28
Material		housing: PA; end cap: PA

Remarks

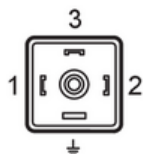
Pack quantity		1 pcs.
---------------	--	--------

Electrical connection

terminals: ...1.5 mm²; Cable sheath: Ø 6...8 mm

Electrical connection - Socket

Connector: 1 x valve plug type A DIN, angled; Contacts: 4



E10058



Wirable valve connector

VALVE PLUG TYPE A

Connection

