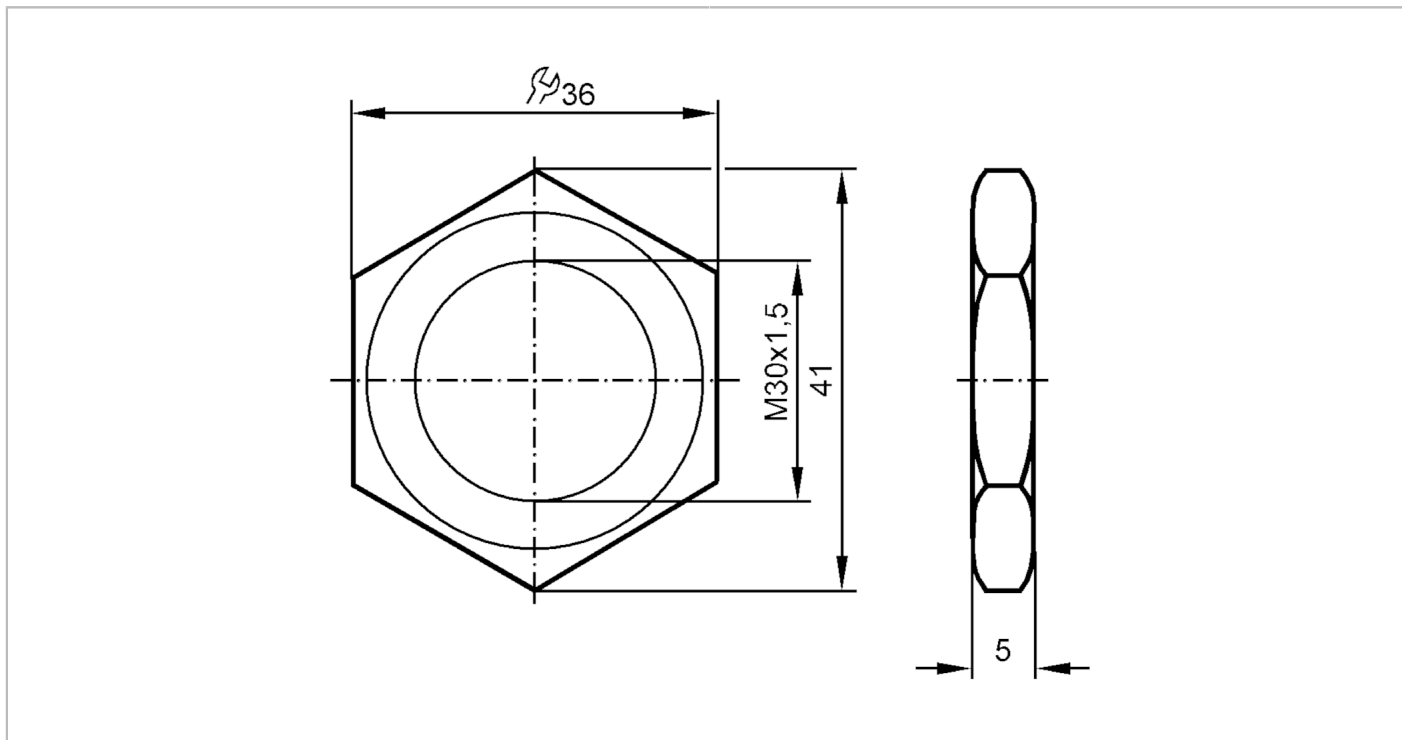


E10031



Hexagon nut

NUT M30X1.5 V4A 2 PIECES



Mechanical data	
Weight	[g] 33.9
Dimensions	[mm] M30 x 1.5
Thread designation	M30 x 1.5
Material	stainless steel (1.4571/316Ti)
Remarks	
Pack quantity	2 pcs.