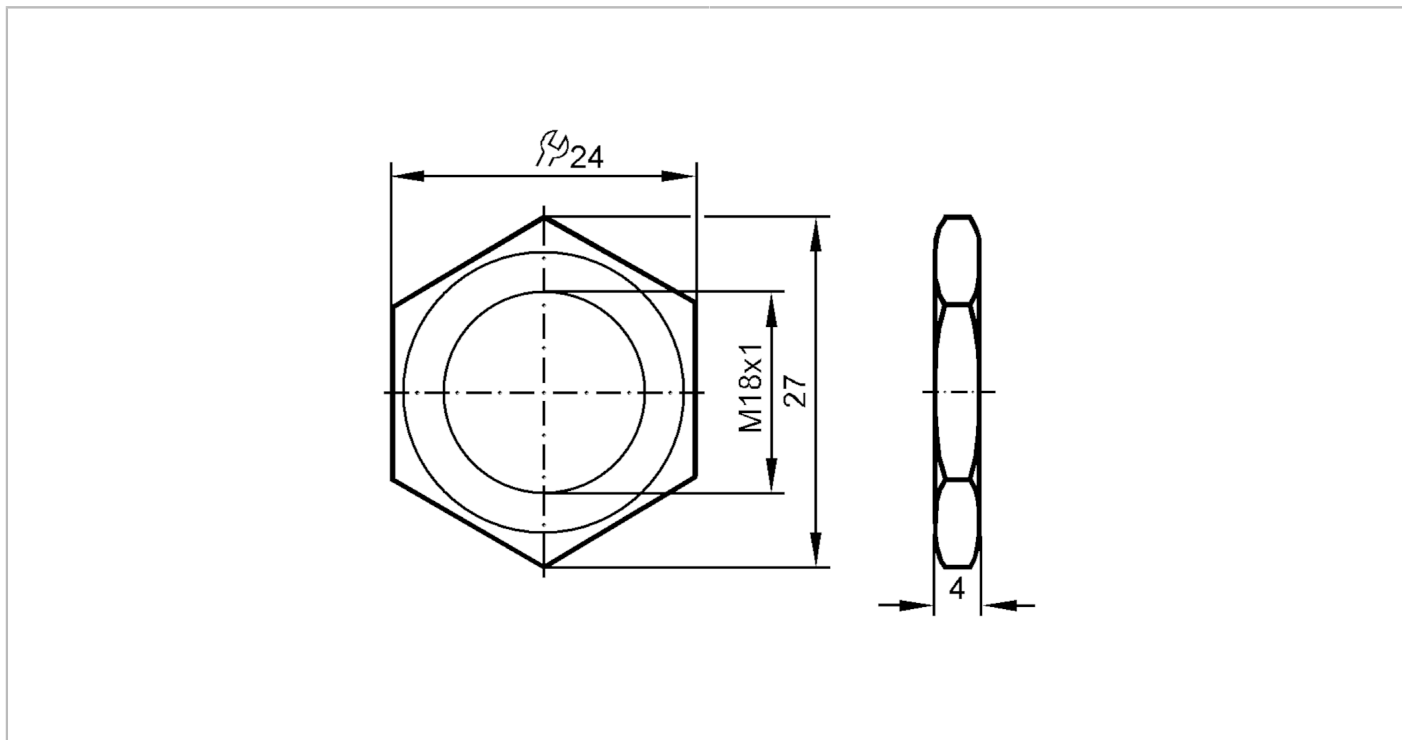


# E10027



## Hexagon nut

NUT M18X1 BRASS 2 PIECES



Mechanical data	
Weight	[g] 16.5
Dimensions	[mm] M18 x 1
Thread designation	M18 x 1
Material	Nut: brass nickel-plated
Remarks	
Pack quantity	2 pcs.