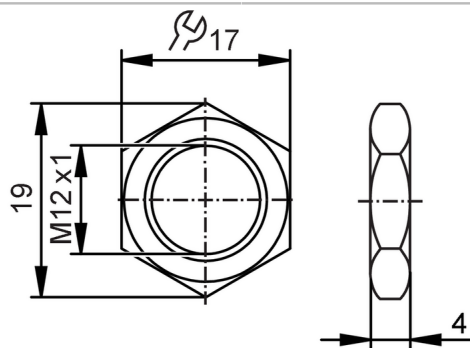


E10025



Hexagon nut

NUT M12X1 V4A 2 PIECES



Mechanical data

Weight	[g]	10
Dimensions	[mm]	M12 x 1
Thread designation		M12 x 1
Material		stainless steel (1.4571/316Ti)

Remarks

Pack quantity		2 pcs.
---------------	--	--------