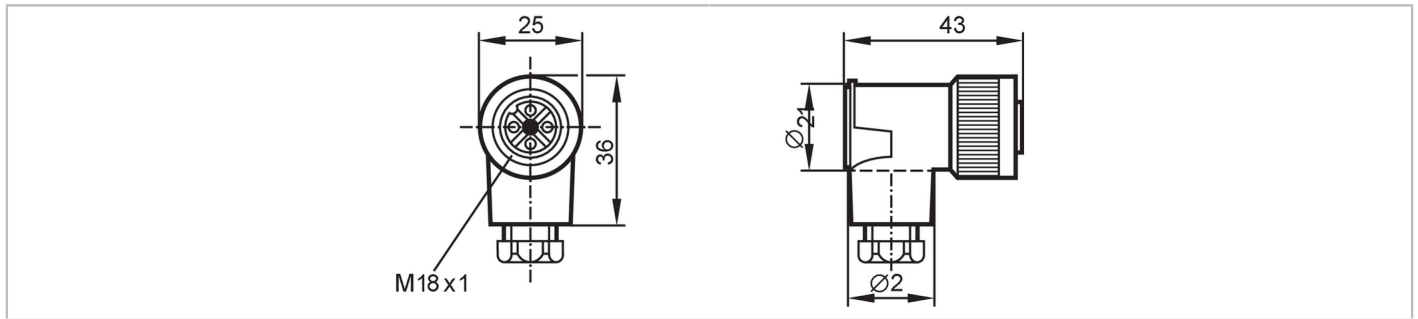


E10013



Female wirable connectors

SDOAJ040PLSFKPG



Application

| | |
|-------------|-------------------------|
| Application | Industrial applications |
|-------------|-------------------------|

Electrical data

| | | |
|-------------------------|-----|---------------|
| Operating voltage | [V] | < 250 AC/DC |
| Max. current load total | [A] | 4; (...40 °C) |

Operating conditions

| | | |
|---------------------|------|----------|
| Ambient temperature | [°C] | -40...85 |
| Protection | | IP 65 |

Mechanical data

| | | |
|----------------------|------|--------------|
| Weight | [g] | 31.4 |
| Dimensions | [mm] | 43 x 25 x 36 |
| Molded-body material | | PA |
| Material nut | | PA |

Remarks

| | |
|---------------|--------|
| Pack quantity | 1 pcs. |
|---------------|--------|

Electrical connection

terminals: ...0.75 mm²; Cable sheath: Ø 6...8 mm

Electrical connection - Socket

Connector: 1 x M18, angled; coding: A; Contacts: 4; Moulded body: PA; Locking: PA



Connection

