

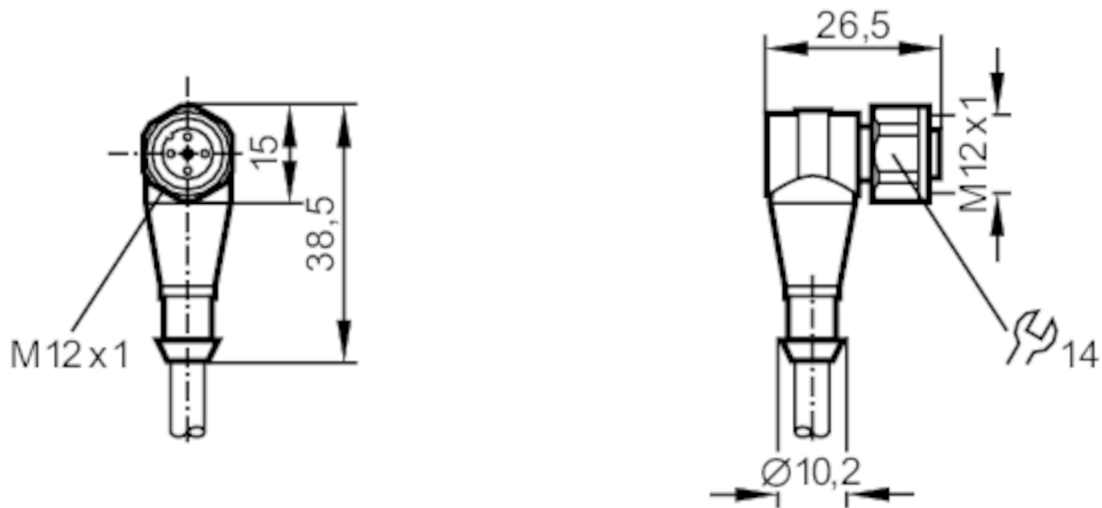
E10953



Female cordset

ADOAH050VAS0025E05

Article no longer available - archive entry



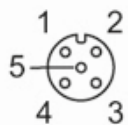
Application	
System	Free from silicone; gold-plated contacts
Free from silicone	yes
Electrical data	
Operating voltage [V]	< 30 AC / < 36 DC
Max. current load total [A]	4
Operating conditions	
Ambient temperature [°C]	-25...100
Protection	IP 68
Mechanical data	
Dimensions [mm]	26.5 x 15 x 38.5
Material	PVC
Material nut	stainless steel (1.4404 / 316L)
Remarks	
Pack quantity	1 pcs.
Electrical connection	
Cable: 25 m, PVC, orange, Ø 5.6 mm; 5 x 0.25 mm ²	
Electrical connection - Socket	
Connector: 1 x M12, angled; Moulded body: PVC; Locking: stainless steel (1.4404 / 316L); Contacts: gold-plated; Tightening torque: 0.7...0.9 Nm	

E10953



Female cordset

ADOAH050VAS0025E05



Connection

1	BN
2	WH
3	BU
4	BK
5	GY

Core colors :

BK =	black
BN =	brown
BU =	blue
GY =	grey
WH =	white

Article no longer available - archive entry