

E10869

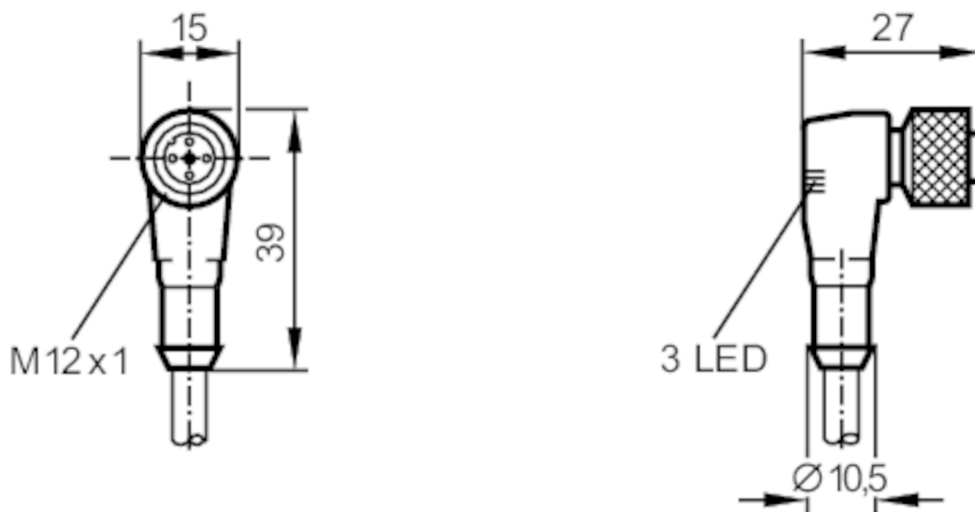


Female cordset

ADOAH043MSS0002H04

Article no longer available - archive entry

Alternative article: EVC007 When selecting an alternative article and accessories please note that technical data may differ! – When selecting an alternative article and accessories please note that technical data may differ!



Application		
System	Halogen-free	
Electrical data		
Operating voltage [V]	10...30 DC	
Outputs		
Electrical design	PNP	
Operating conditions		
Ambient temperature [°C]	-25...90	
Protection	IP 67	
Mechanical data		
Dimensions [mm]	27 x 15 x 39	
Material	TPU (urethane)	
Material nut	brass, weld coated	
Displays / operating elements		
Display	Switching status	2 x LED, yellow
	Power	1 x LED, green
Remarks		
Pack quantity	1 pcs.	

E10869



Female cordset

ADOAH043MSS0002H04

Electrical connection

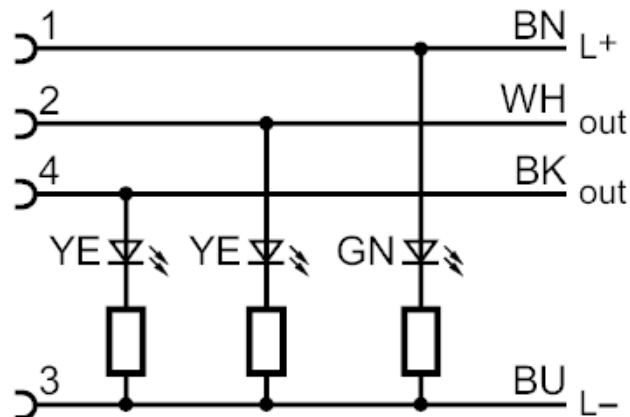
Cable: 2 m, PUR, Halogen-free, black; cross-linked; 4 x 0.34 mm² (19 x Ø 0.15 mm)

Electrical connection - Socket

Connector: 1 x M12, angled; Moulded body: TPU (urethane); Locking: brass, weld coated



Connection



Core colors :

BK = black
BN = brown
BU = blue
WH = white

Article no longer available - archive entry

Alternative article: EVC007 When selecting an alternative article and accessories please note that technical data may differ! – When selecting an alternative article and accessories please note that technical data may differ!