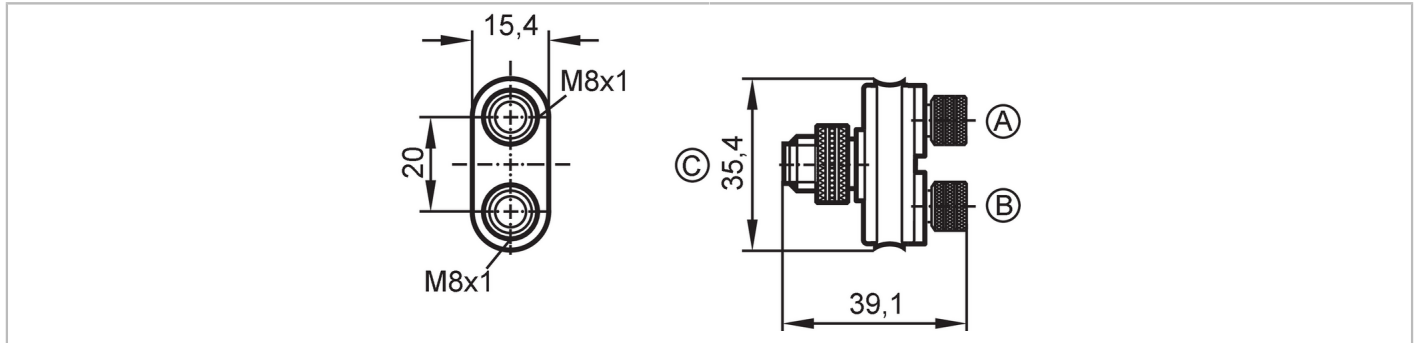


# E10802



## Y/T splitter

ZDO2F030MSS0000-00STGH040MSS



Application		
Special feature		Free from silicone; gold-plated contacts
Application		Industrial applications
Free from silicone		yes
Electrical data		
Operating voltage	[V]	< 60 DC
Protection class		III
Max. current load per module/slot	[A]	3
Max. current load total	[A]	3
Operating conditions		
Ambient temperature	[°C]	-25...90
Protection		IP 67
Mechanical data		
Weight	[g]	21.8
Dimensions	[mm]	15.4 x 35.4 x 39.1
Material		PUR
Molded-body material		PUR
Material nut		brass, nickel-plated
Connector type		M8

Remarks	
Pack quantity	1 pcs.

### Electrical connection - plug

Connector: 1 x M12; coding: A; Contacts: 4, gold-plated; Moulded body: PUR; Locking: brass, nickel-plated



# E10802

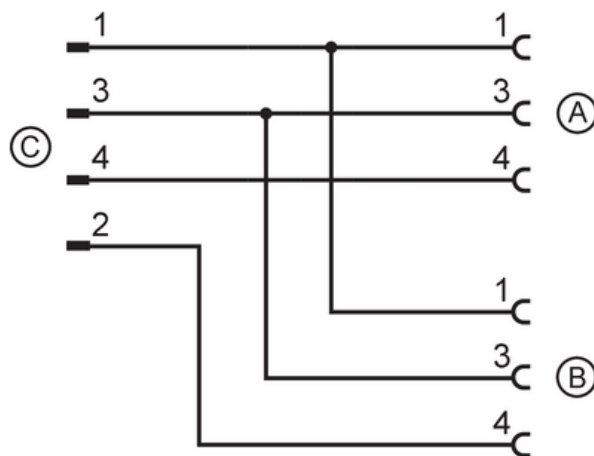


## Y/T splitter

ZDO2F030MSS0000-00STGH040MSS

### Electrical connection

#### Connection



### Electrical connection - Socket

Connector: 2 x M8; coding: A; Contacts: 3, gold-plated; Moulded body: PUR; Locking: brass, nickel-plated

