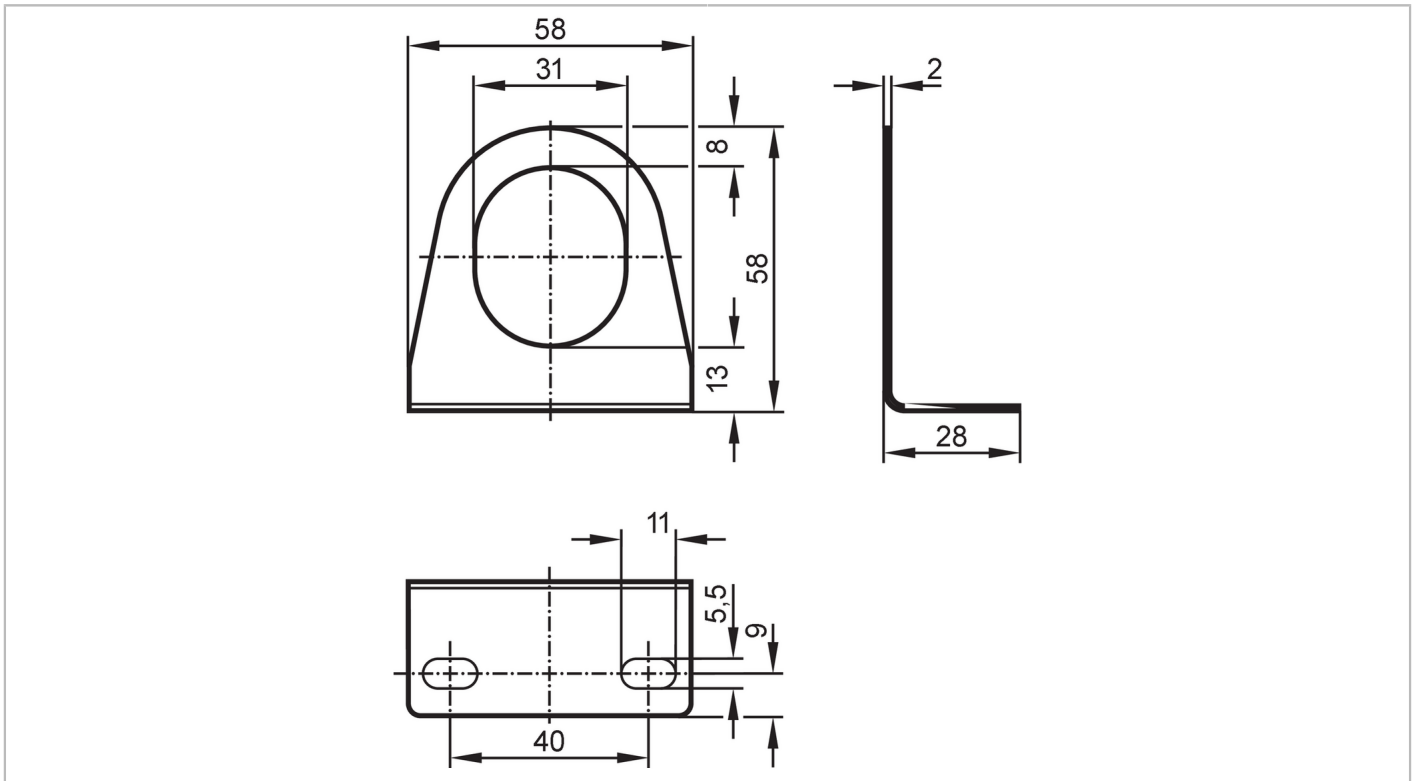


# E10737



## Angle bracket

ANGLE BRACKET M30



Application	
Design	for types M30
Mechanical data	
Weight [g]	67.6
Dimensions [mm]	58 x 58 x 28
Material	stainless steel (1.4301 / 304)
Accessories	
Items supplied	lock washers: 2 x Ø 30 mm, for M30 sensor
Remarks	
Pack quantity	1 pcs.