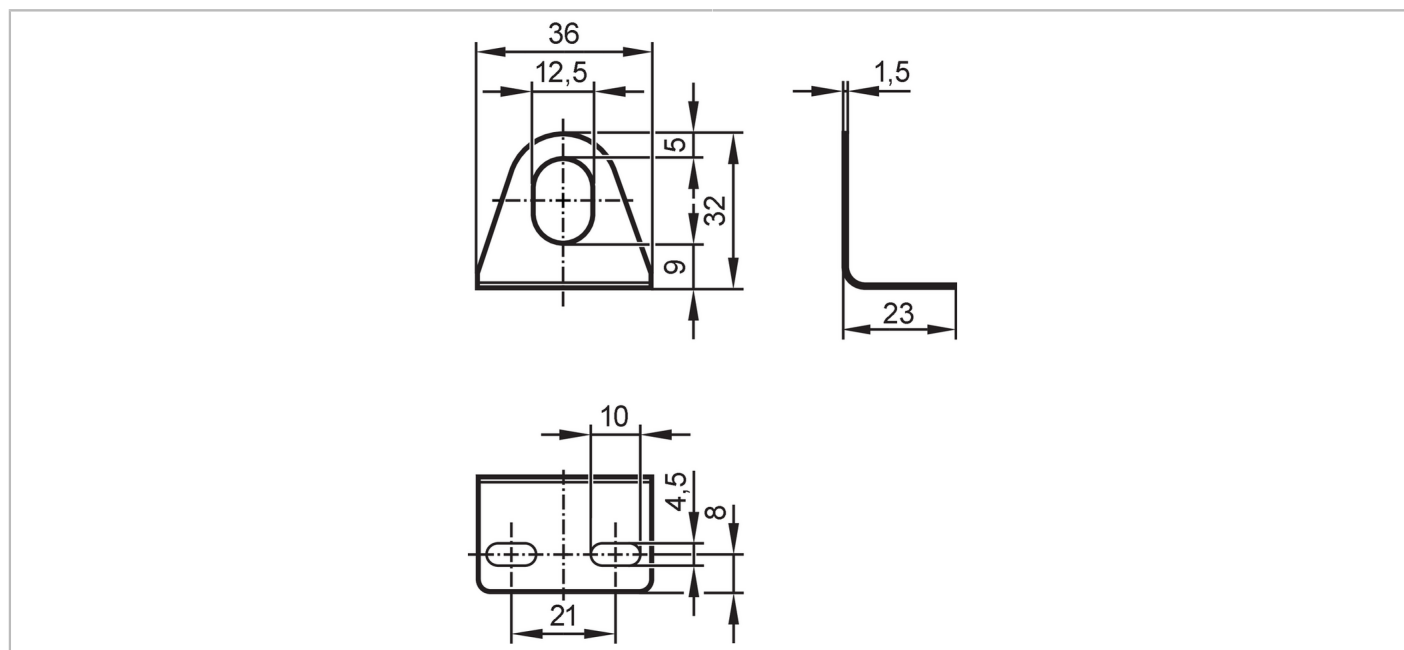


E10735



Angle bracket

ANGLE BRACKET M12



Application	
Design	for types M12
Mechanical data	
Weight [g]	18.4
Dimensions [mm]	32 x 36 x 23
Material	stainless steel (1.4301 / 304)
Accessories	
Items supplied	lock washers: 2 x Ø 12 mm, for M12 sensor
Remarks	
Pack quantity	1 pcs.