

# E10655

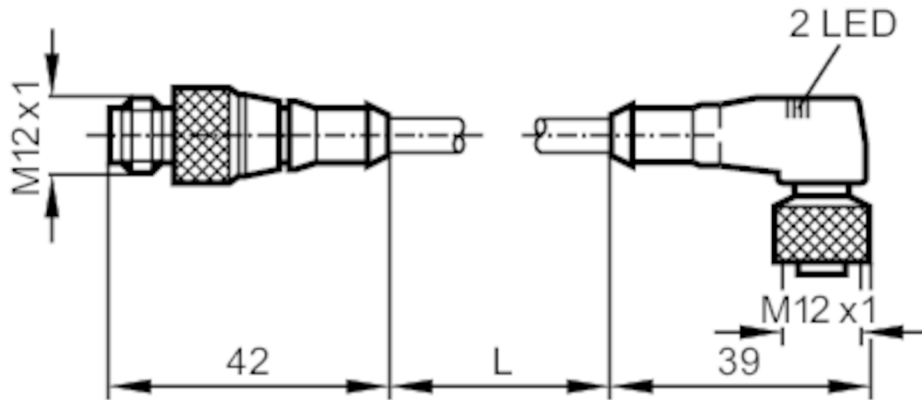


## Connection cable

VDOAH042MSS0001A03STGH030MSS

Article no longer available - archive entry

Alternative article: EVC052 When selecting an alternative article and accessories please note that technical data may differ! – When selecting an alternative article and accessories please note that technical data may differ!



### Electrical data

Operating voltage [V] 10...30 DC

### Operating conditions

Ambient temperature [°C] -25...90

Protection IP 67

### Mechanical data

Material PUR

Material nut brass, nickel-plated / brass, nickel-plated

### Displays / operating elements

Display	Switching status	1 x LED, yellow
	Power	1 x LED, green

### Remarks

Pack quantity 1 pcs.

### Electrical connection - plug

Connector: 1 x M12, straight; Moulded body: PUR; Locking: brass, nickel-plated; Tightening torque: 0.5 Nm



# E10655



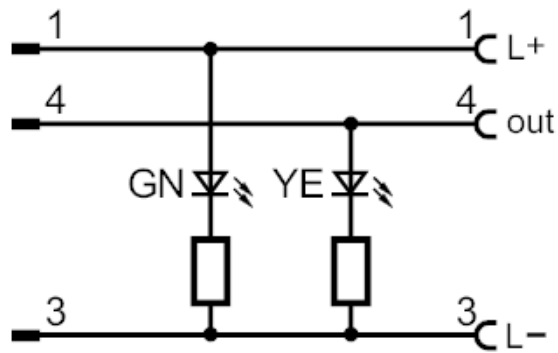
## Connection cable

VDOAH042MSS0001A03STGH030MSS

### Electrical connection

Cable: 1 m, PUR / PVC, orange, Ø 5 mm; 3 x 0.34 mm<sup>2</sup> (42 x Ø 0.1 mm )

### Connection



### Electrical connection - Socket

Connector: 1 x M12, angled; Moulded body: PUR; Locking: brass, nickel-plated; Tightening torque: 0.5 Nm



Article no longer available - archive entry

Alternative article: EVC052 When selecting an alternative article and accessories please note that technical data may differ! – When selecting an alternative article and accessories please note that technical data may differ!