

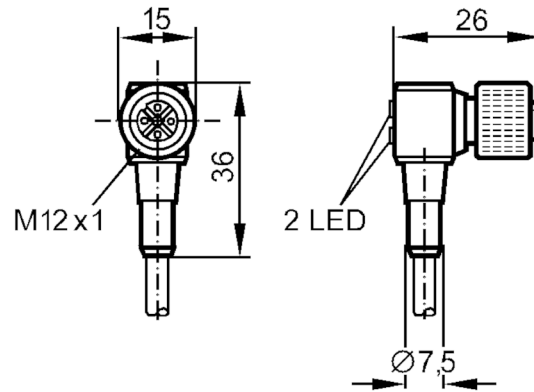
# E10611



## Female cordset

ADOAH042VAS0020E03

Article no longer available - archive entry



### Electrical data

Operating voltage [V] 10...30 DC

### Outputs

Electrical design PNP

### Operating conditions

Ambient temperature [°C] -25...90

Protection IP 67

### Mechanical data

Material PUR

Material nut stainless steel (1.4305 / 303)

### Remarks

Pack quantity 1 pcs.

### Electrical connection

Cable: 20 m, PVC, black, Ø 4.5 mm; 3 x 0.34 mm<sup>2</sup>

### Electrical connection - Socket

Connector: 1 x M12, angled; Moulded body: PUR; Locking: stainless steel (1.4305 / 303)



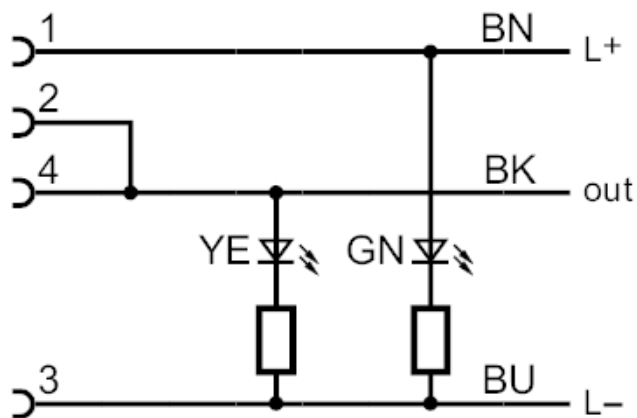
# E10611



## Female cordset

ADOAH042VAS0020E03

### Connection



Core colors :

BK = black  
BN = brown  
BU = blue

Article no longer available - archive entry