

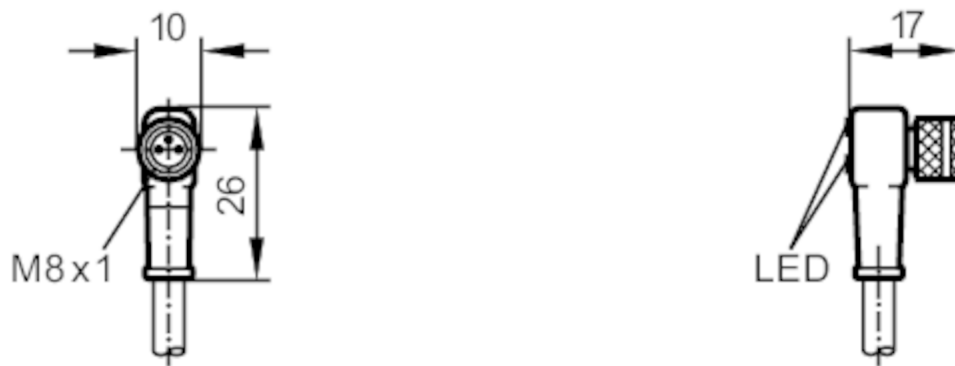
# E10547



## Female cordset

ADOAF032ZDS0005A03

Article no longer available - archive entry



### Electrical data

Operating voltage	[V]	10...30 DC
Protection class		III

### Outputs

Electrical design	PNP
-------------------	-----

### Operating conditions

Ambient temperature	[°C]	-25...90
Protection		IP 67

### Mechanical data

Dimensions	[mm]	17 x 10 x 26
Material		PUR
Material nut		diecast zinc

### Displays / operating elements

Display	Switching status	1 x LED, yellow
	Power	1 x LED, green

### Remarks

Pack quantity	1 pcs.
---------------	--------

### Electrical connection

Cable: 5 m, PUR / PVC, black, Ø 5 mm; 3 x 0.34 mm<sup>2</sup>

### Electrical connection - Socket

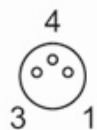
Connector: 1 x M8, angled; Moulded body: PUR; Locking: diecast zinc

# E10547

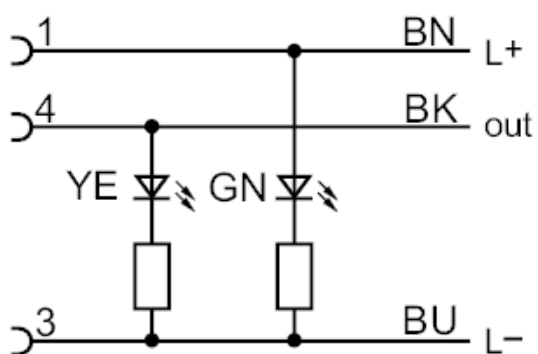


## Female cordset

ADOAF032ZDS0005A03



### Connection



Core colors :

BN =

brown

BK =

black

BU =

blue

Article no longer available - archive entry